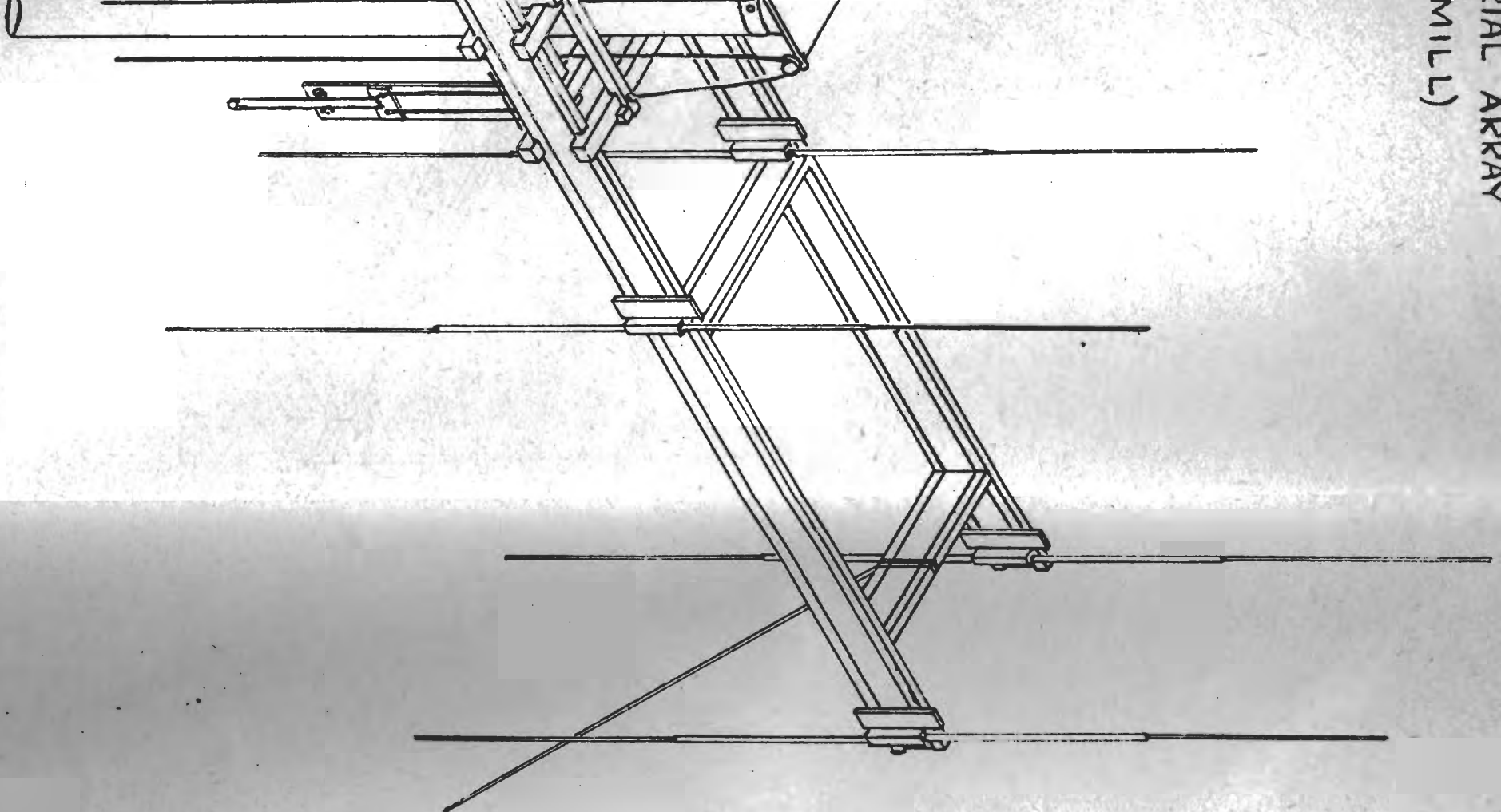


ARR AER
(WIND

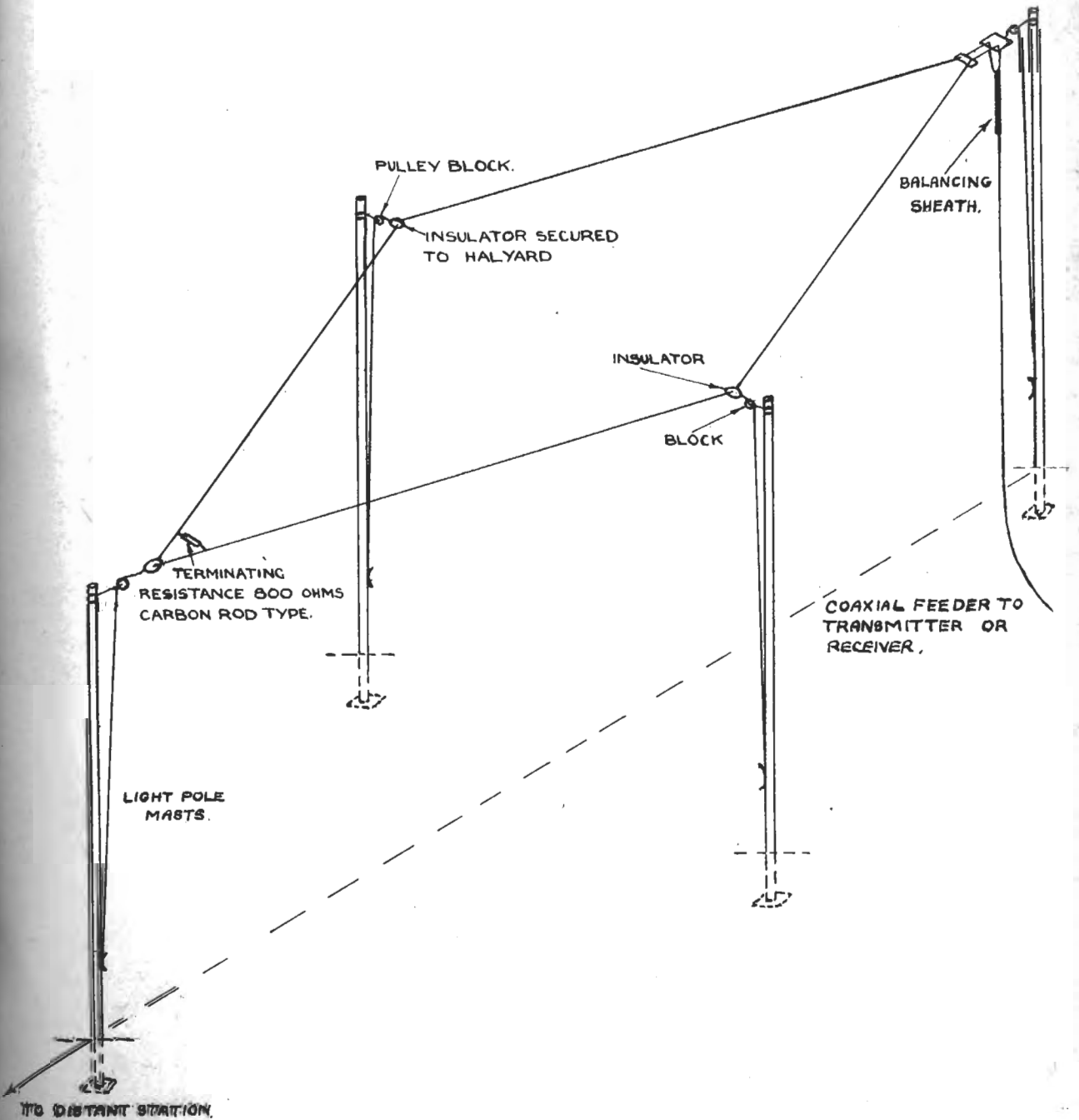
IAL ARRAY
(MILL)



ARR
ARRAY

5

ARV RHOMBIC AERIAL.



V. H/F COMMUNICATION

7- SCHEMATIC OF SINGLE CHANNEL V.F. KEYING SYSTEM

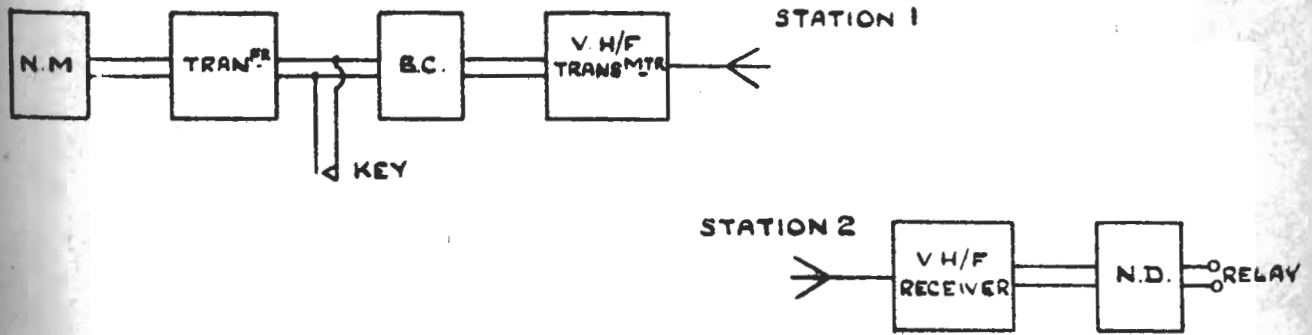
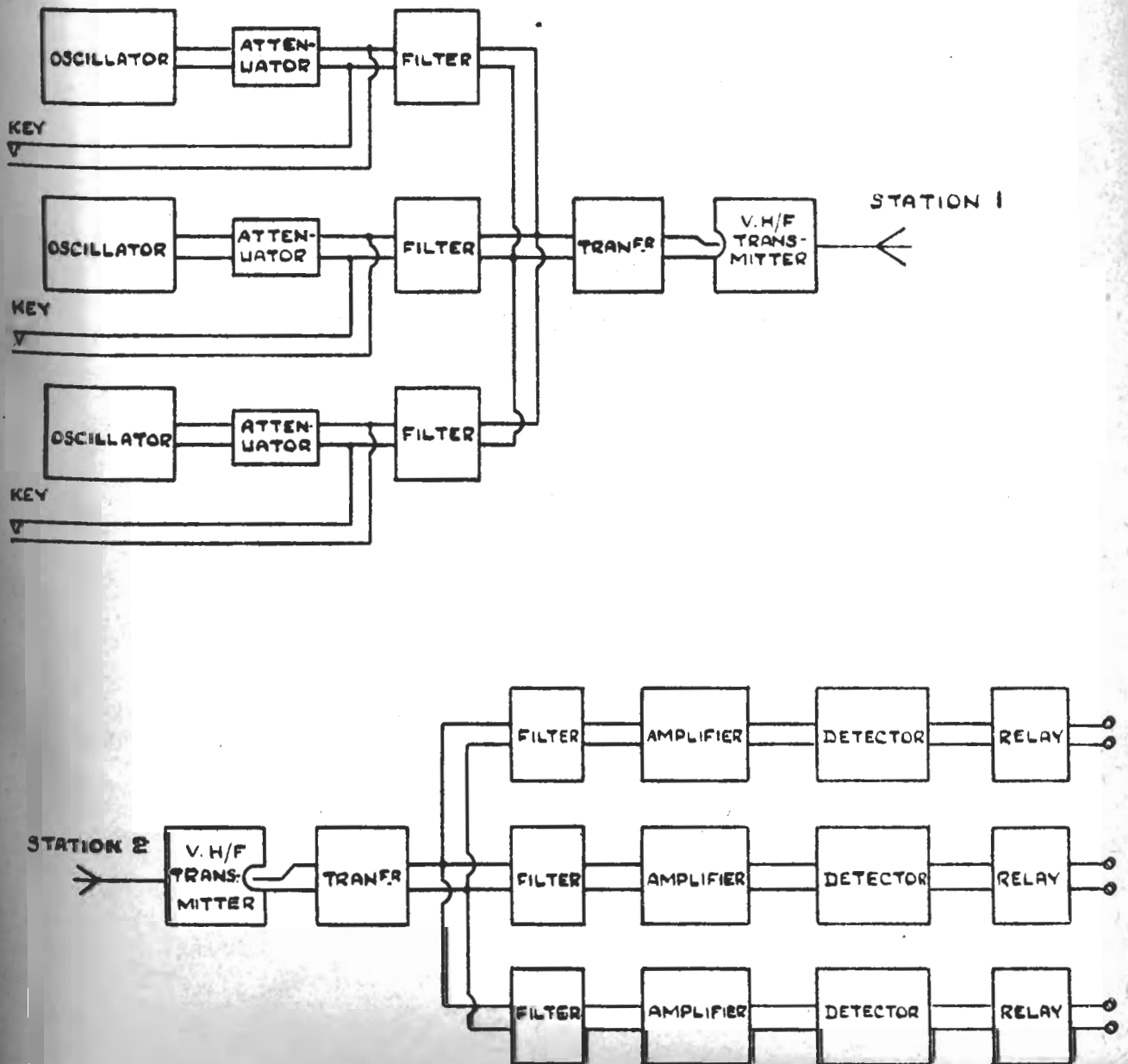


FIG.7.

8- SCHEMATIC OF MULTI-CHANNEL V.F. KEYING SYSTEM



S+D & T.P. STATION.

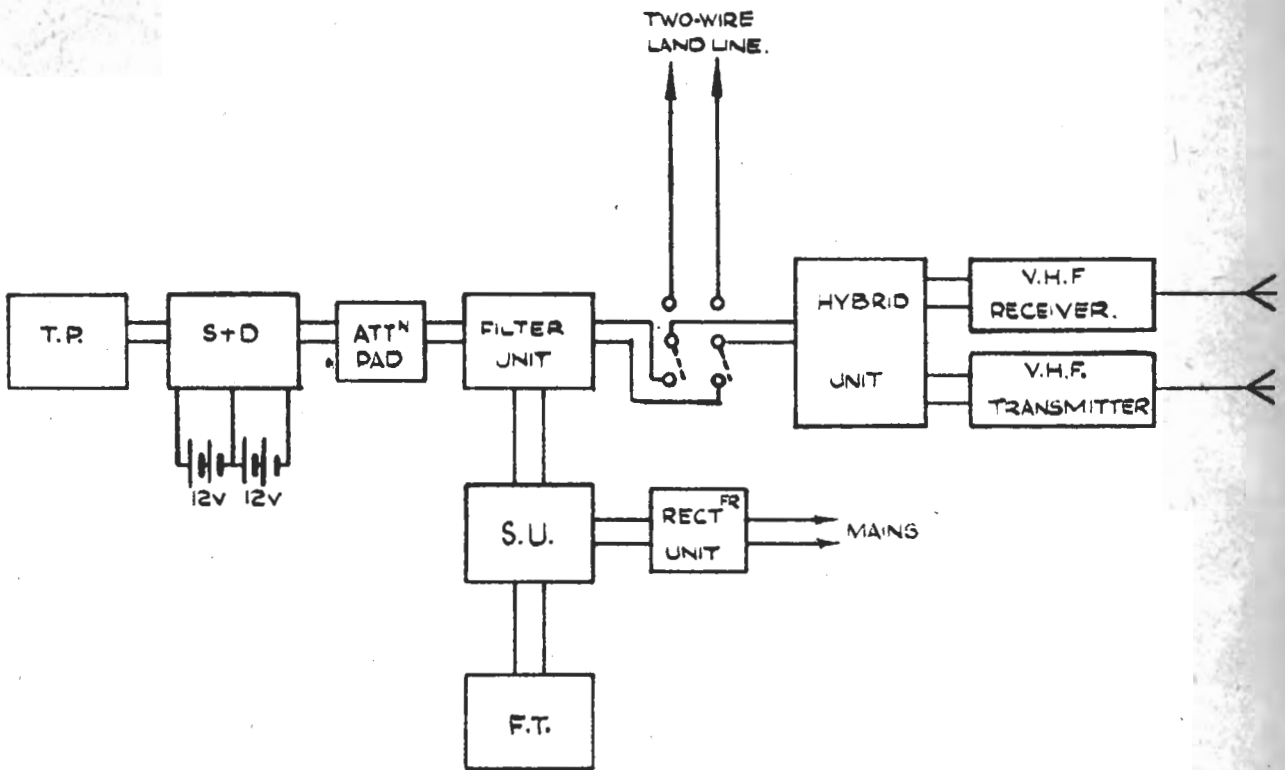
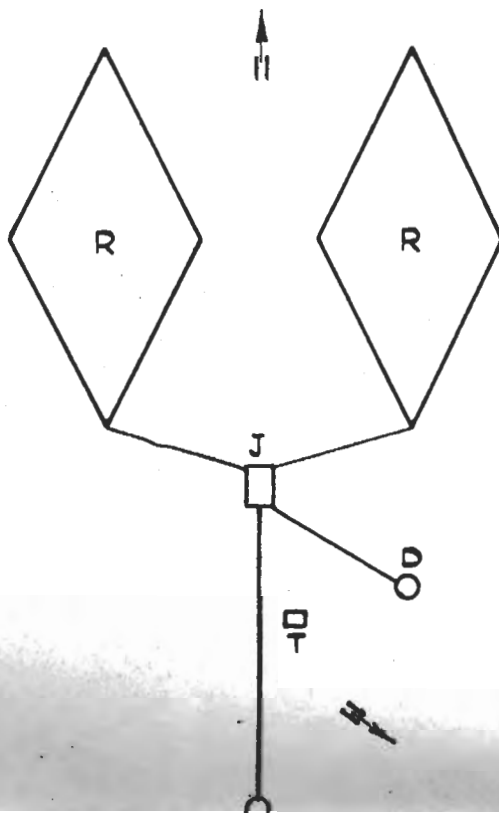


FIG. 9

TYPICAL LAYOUT OF STATION YY



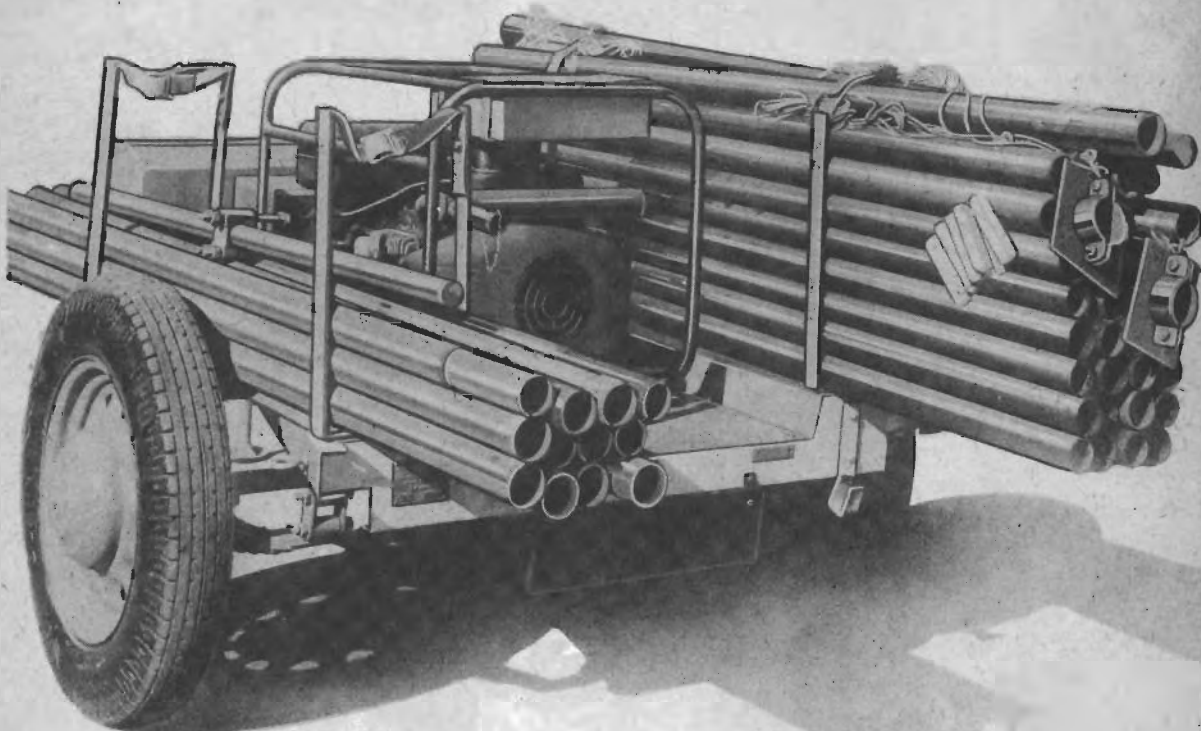


EQUIPPED
JEEP

JEEP, EQUIPPED WITH V H/F SETS

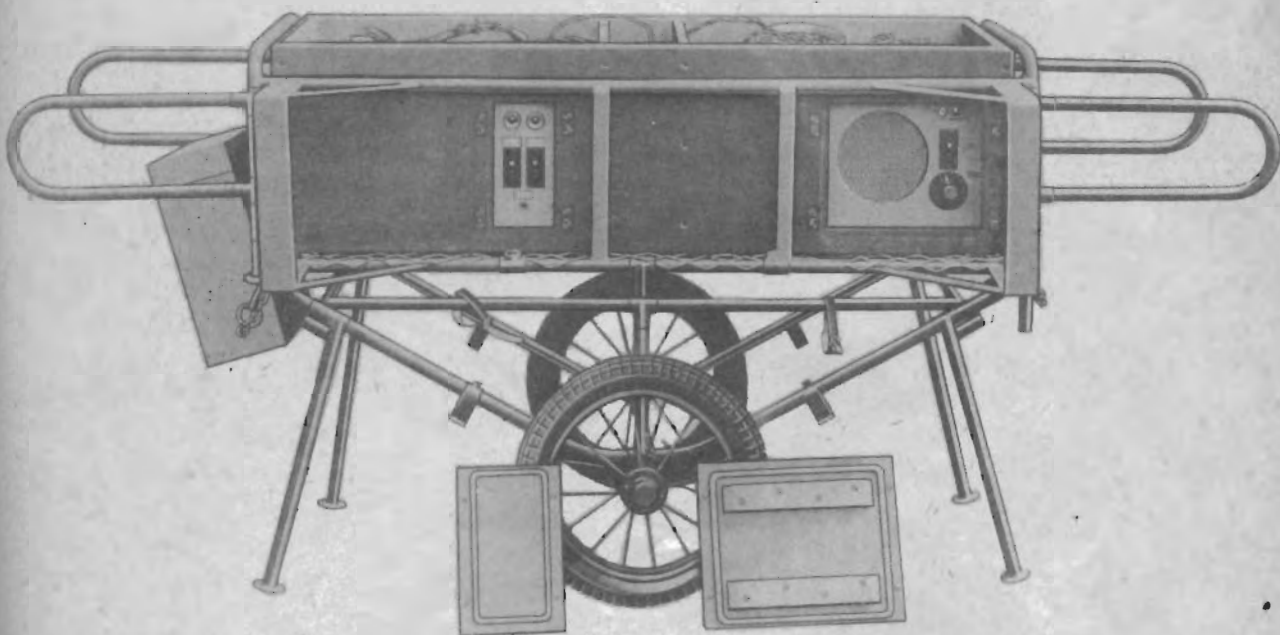


TRAILER, PARTIALLY LOADED

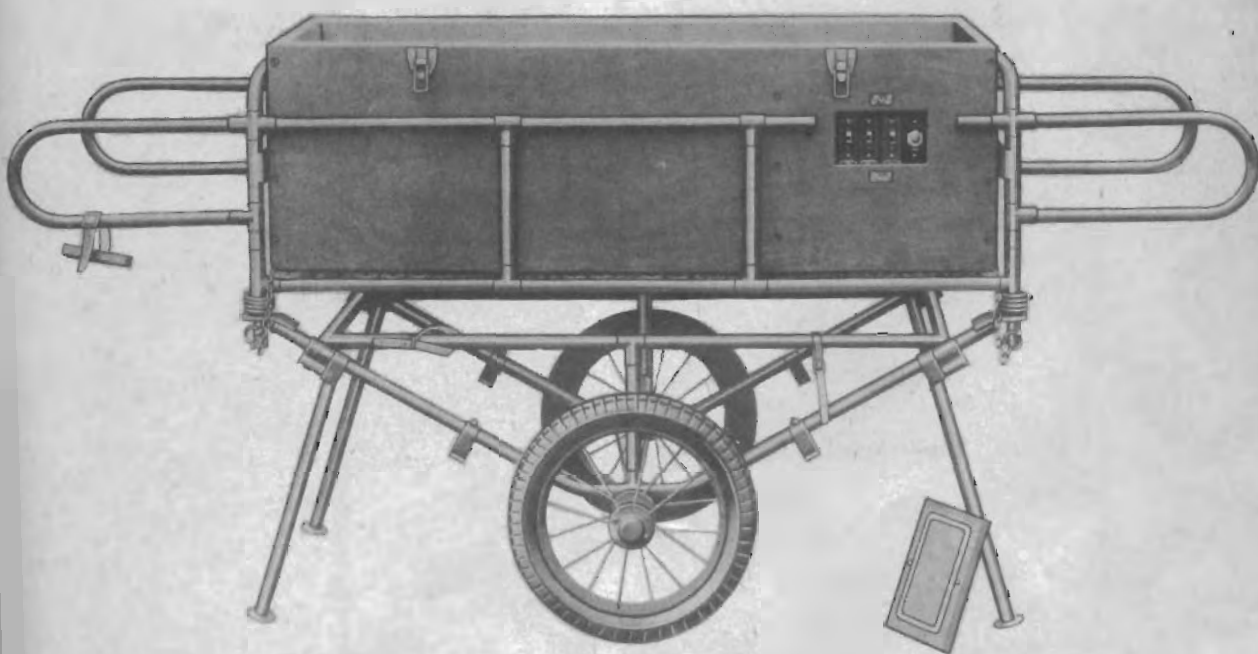


HANDCART STATION

COVERS REMOVED



BATTERY HANDCART
COVERS REMOVED



HANDCART STATION

(SET UP FOR OPERATION)

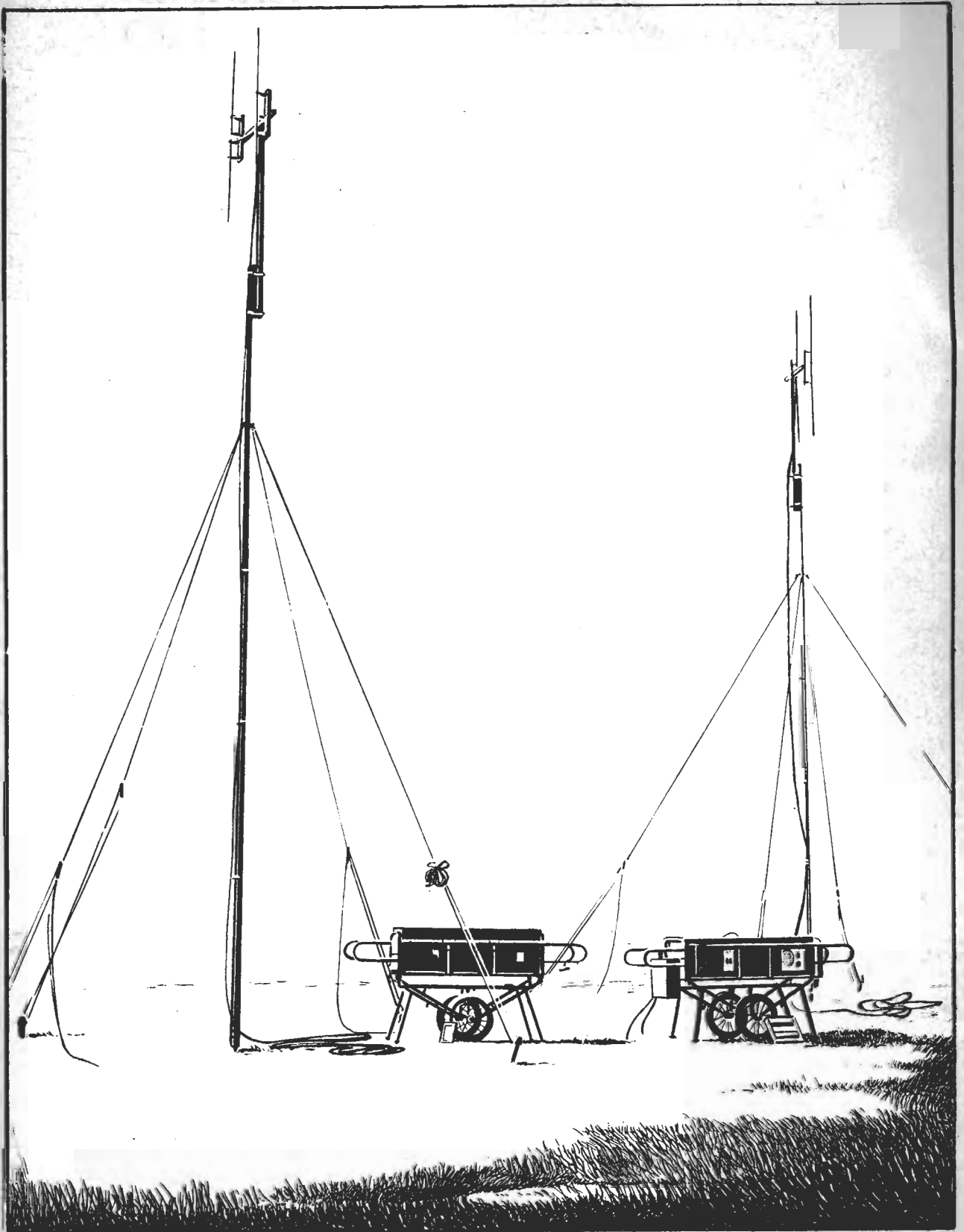
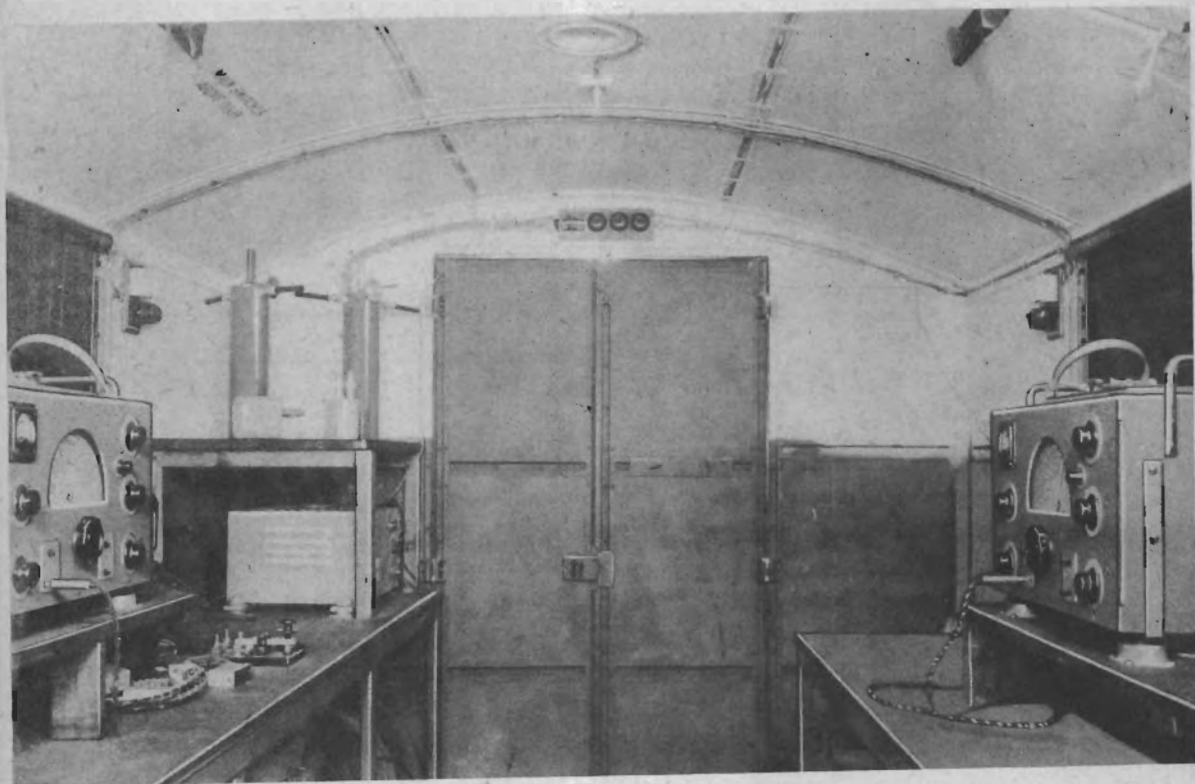


FIG. 15.

17

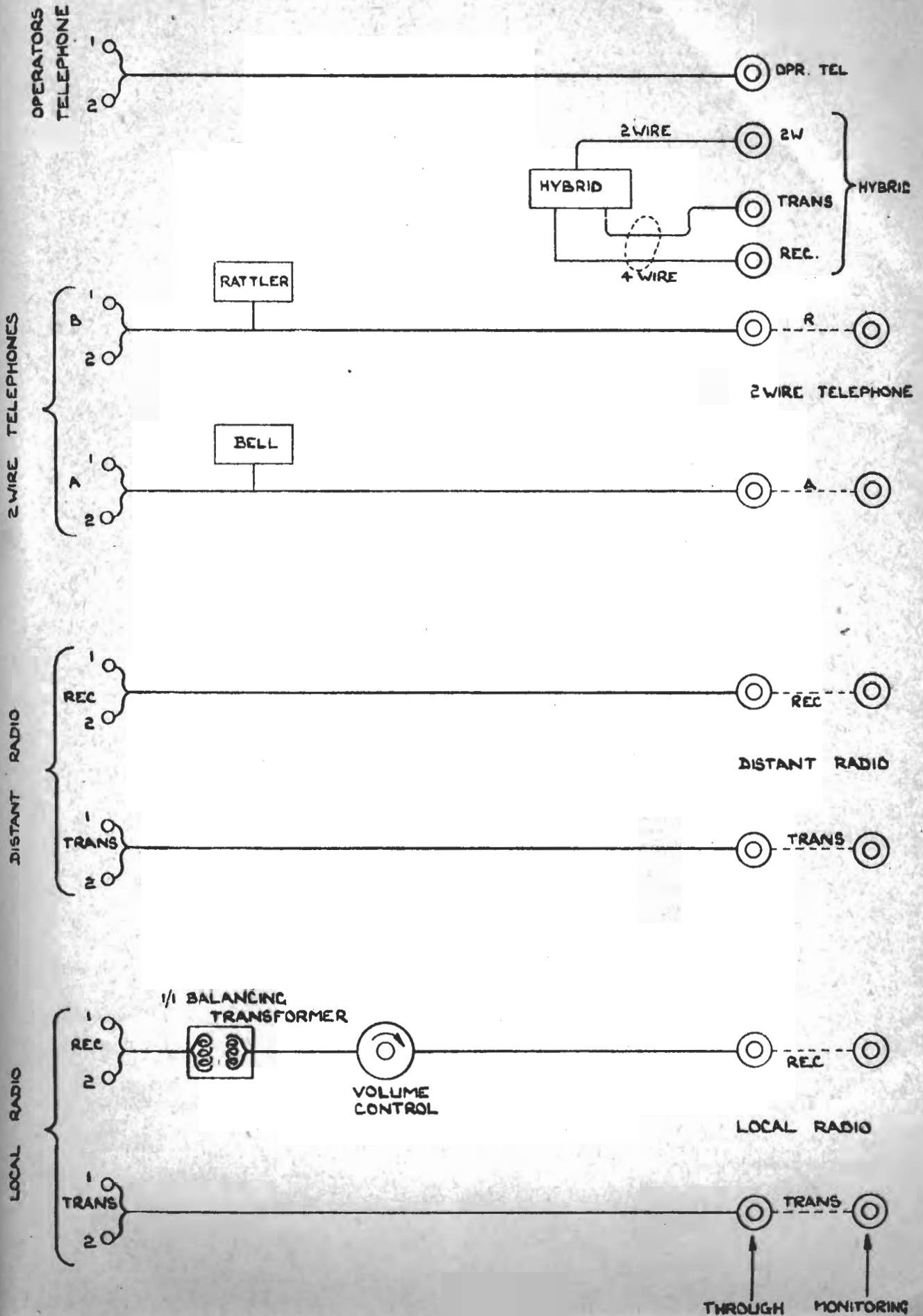
C.R.R.
SINGLE
CHANNEL

C.R.R. SHOWING
SINGLE CHANNEL V/F LINK



V. H/F. COMMUNICATION

PATT. W 9099 "LINKING UNIT" R/T MOBILE
OUTLINE SCHEMATIC DIAGRAM



V H/F COMMUNICATION

LINKING UNIT R/T MOBILE PATT W9099
EXTERNAL CONNECTIONS.

