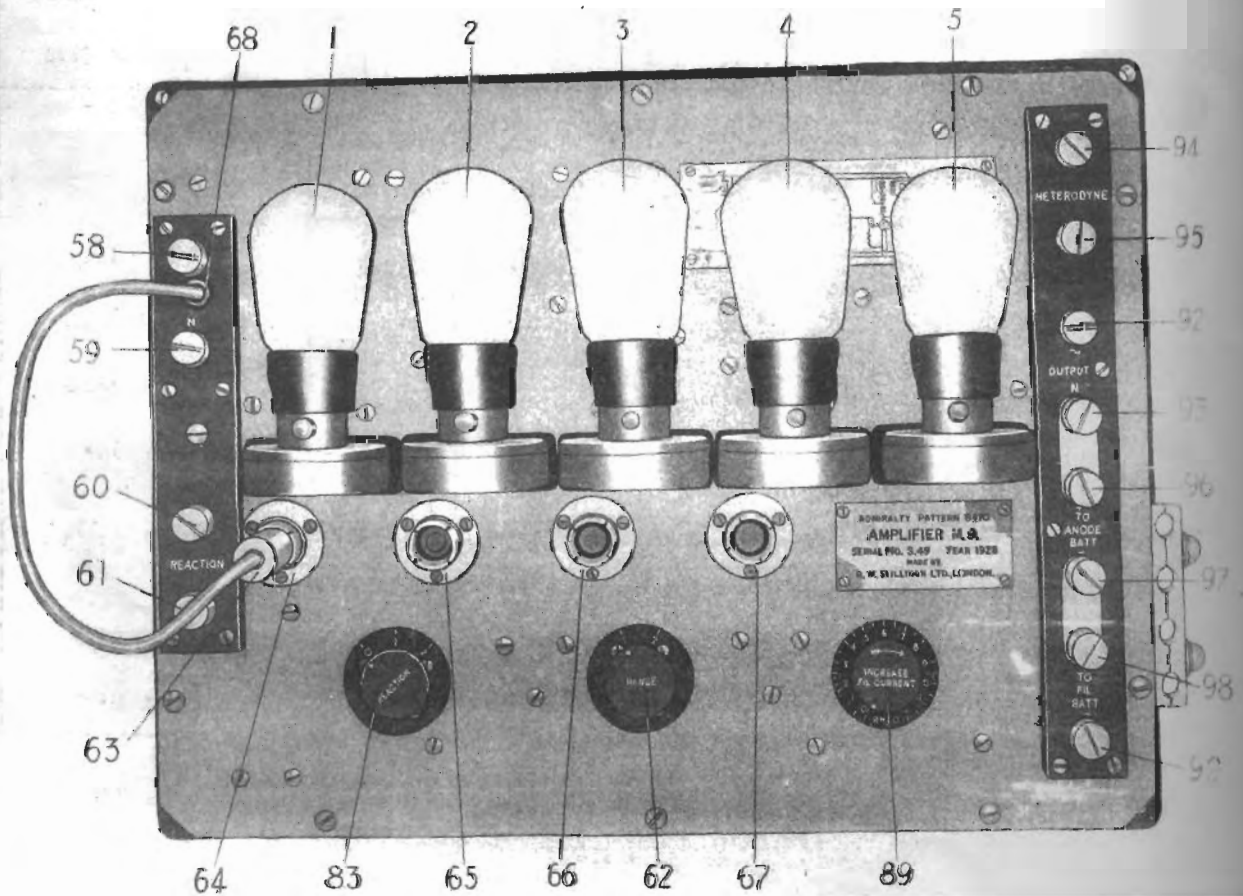
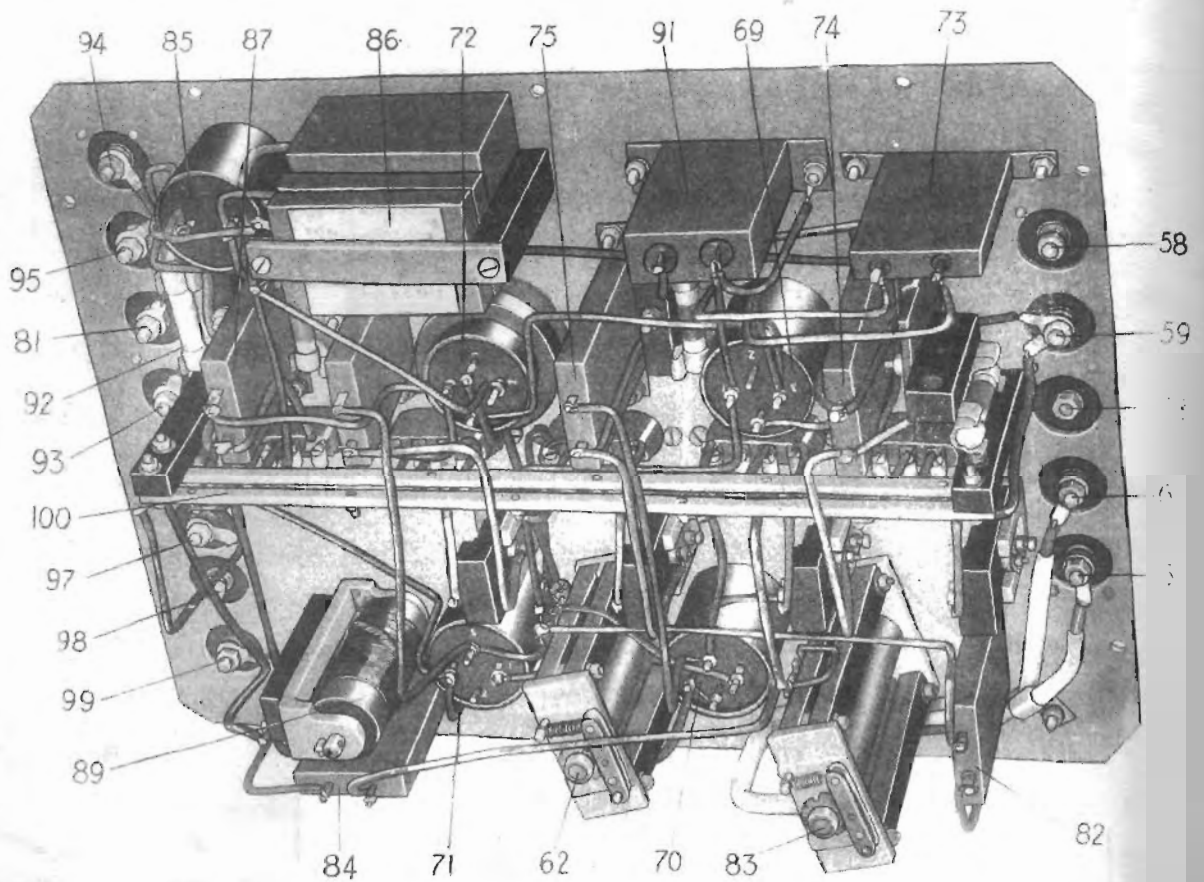
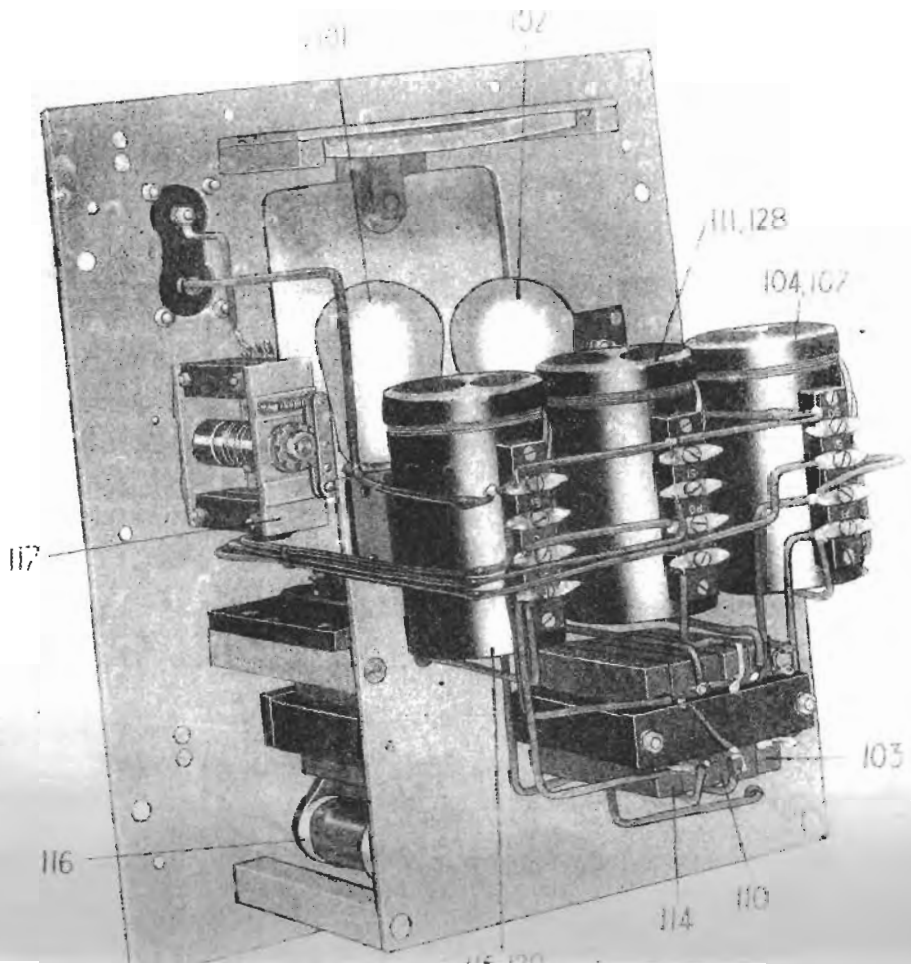
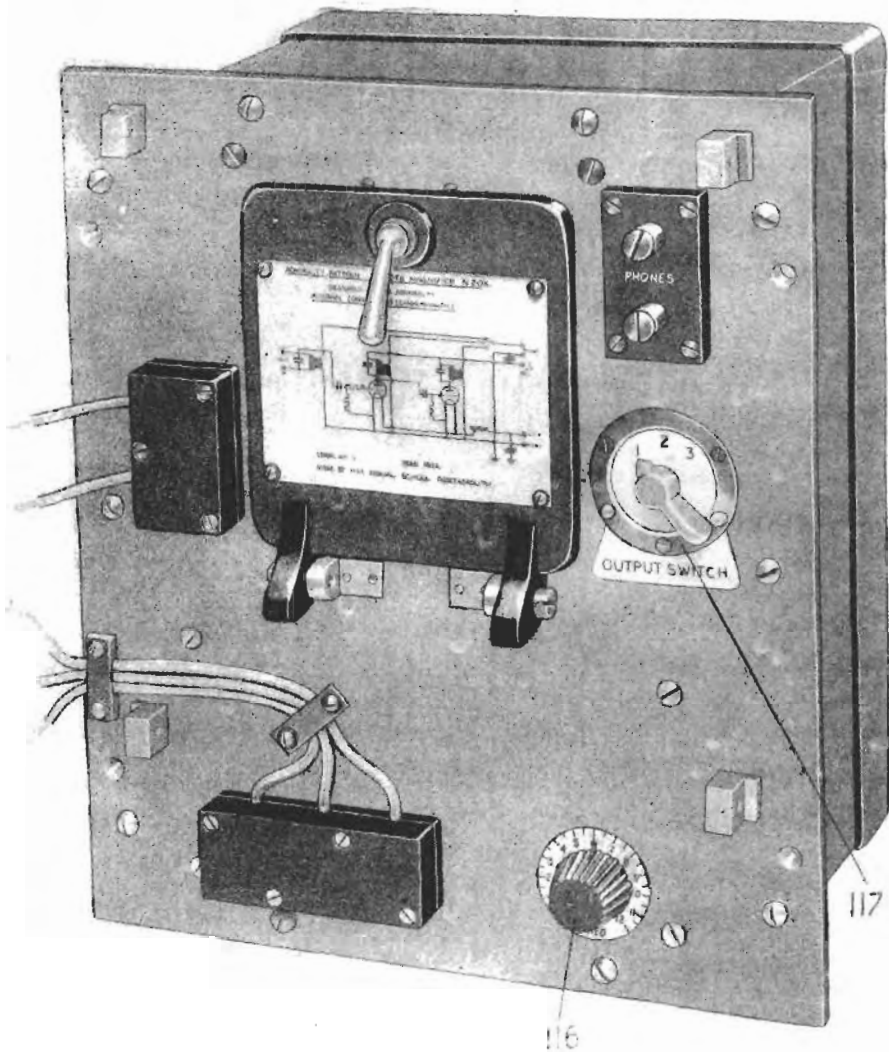


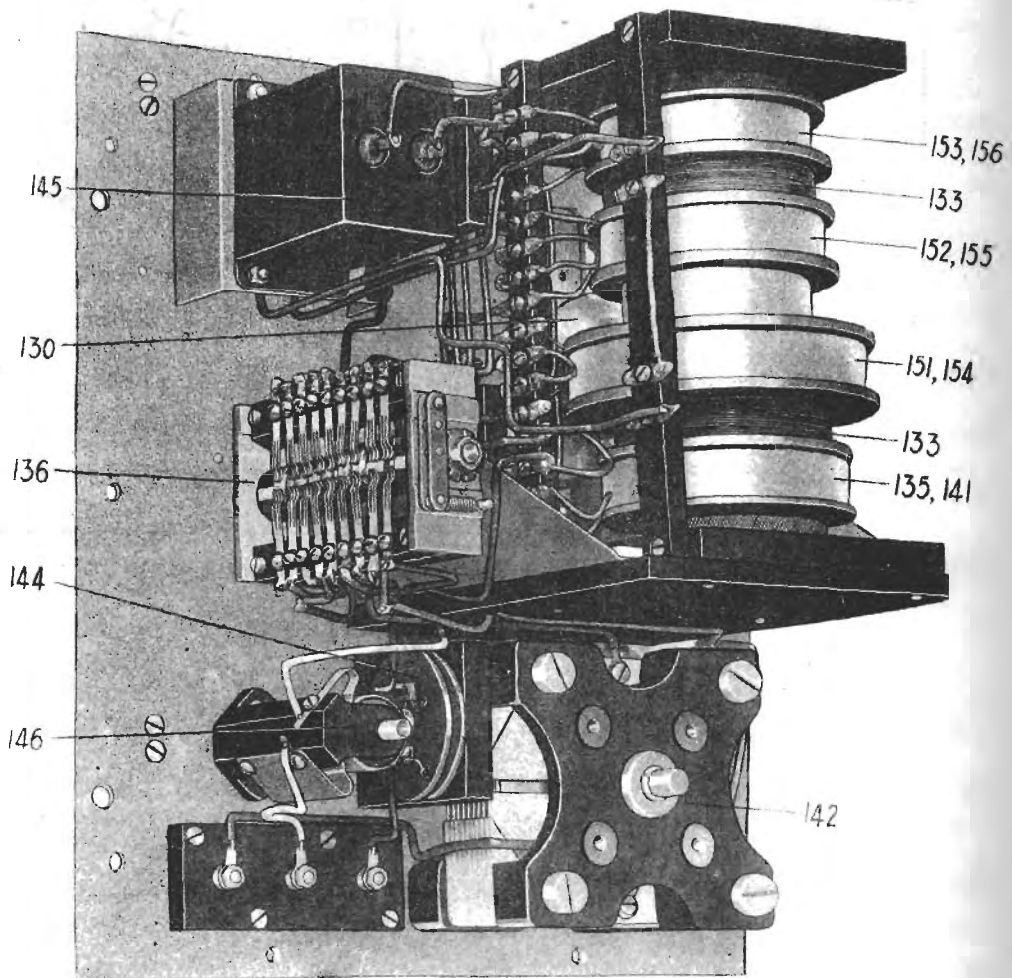
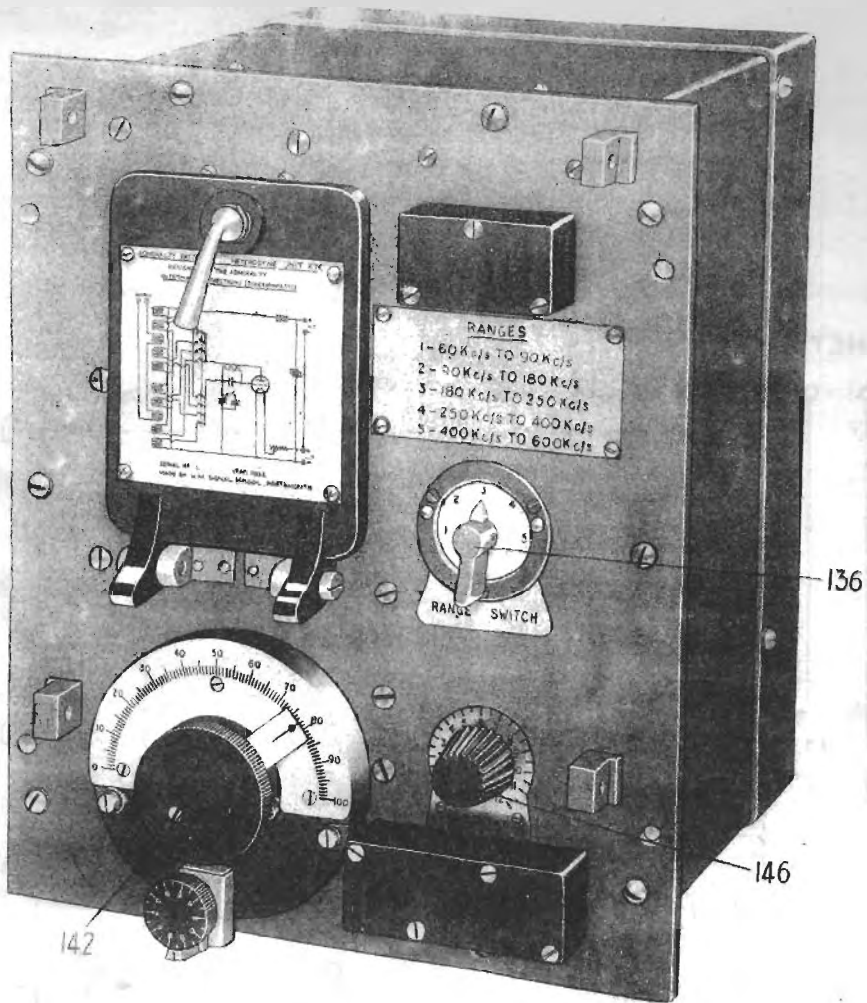
AMPLIFIER M9.

Page 62.





HETERODYNE UNIT K7.



VIEW OF INDICATOR DIAL WITH LID REMOVED
SHOWING STORAGE FOR TOOLS AND CAM BLANK.

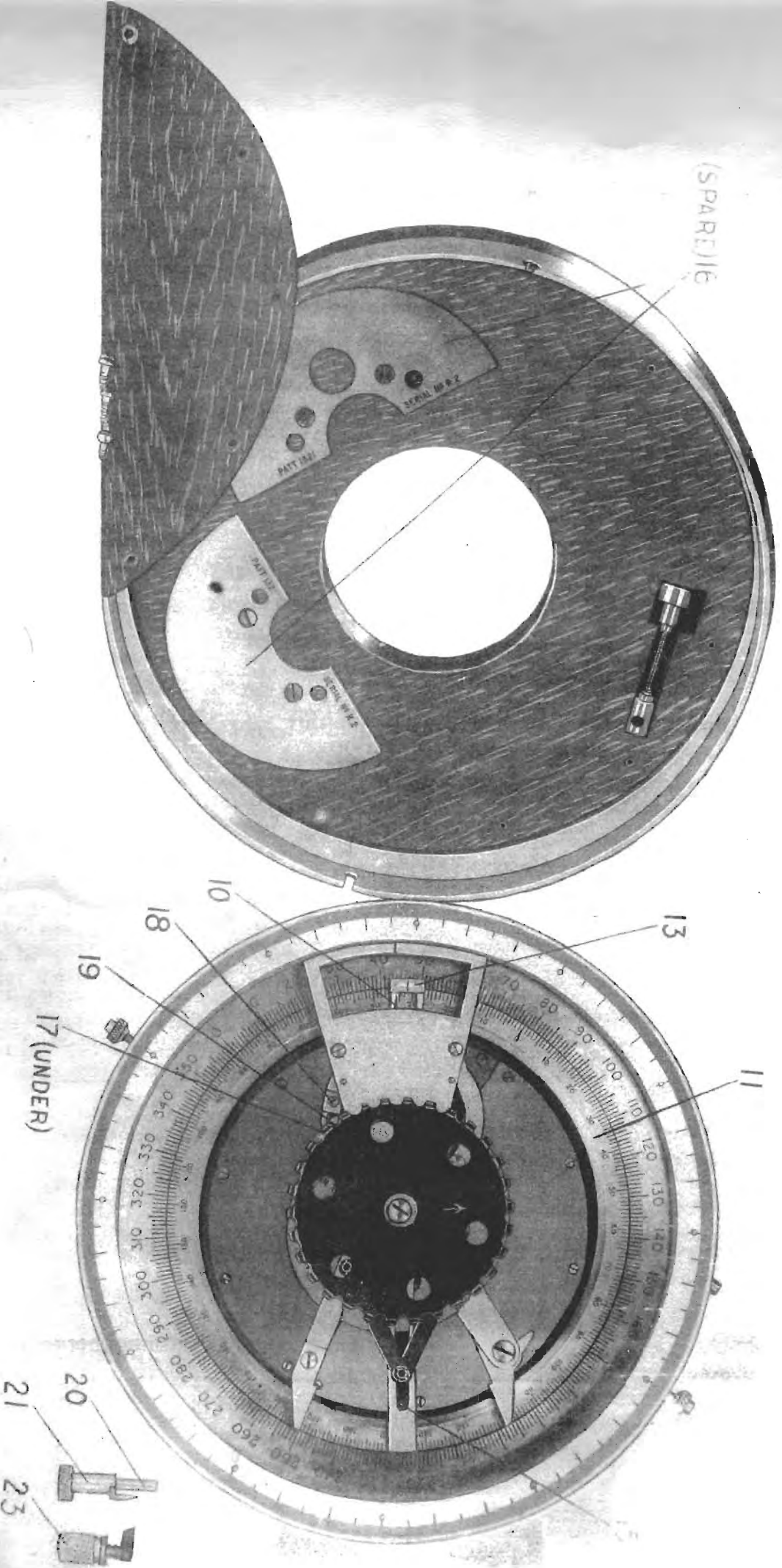


FIG. 37.

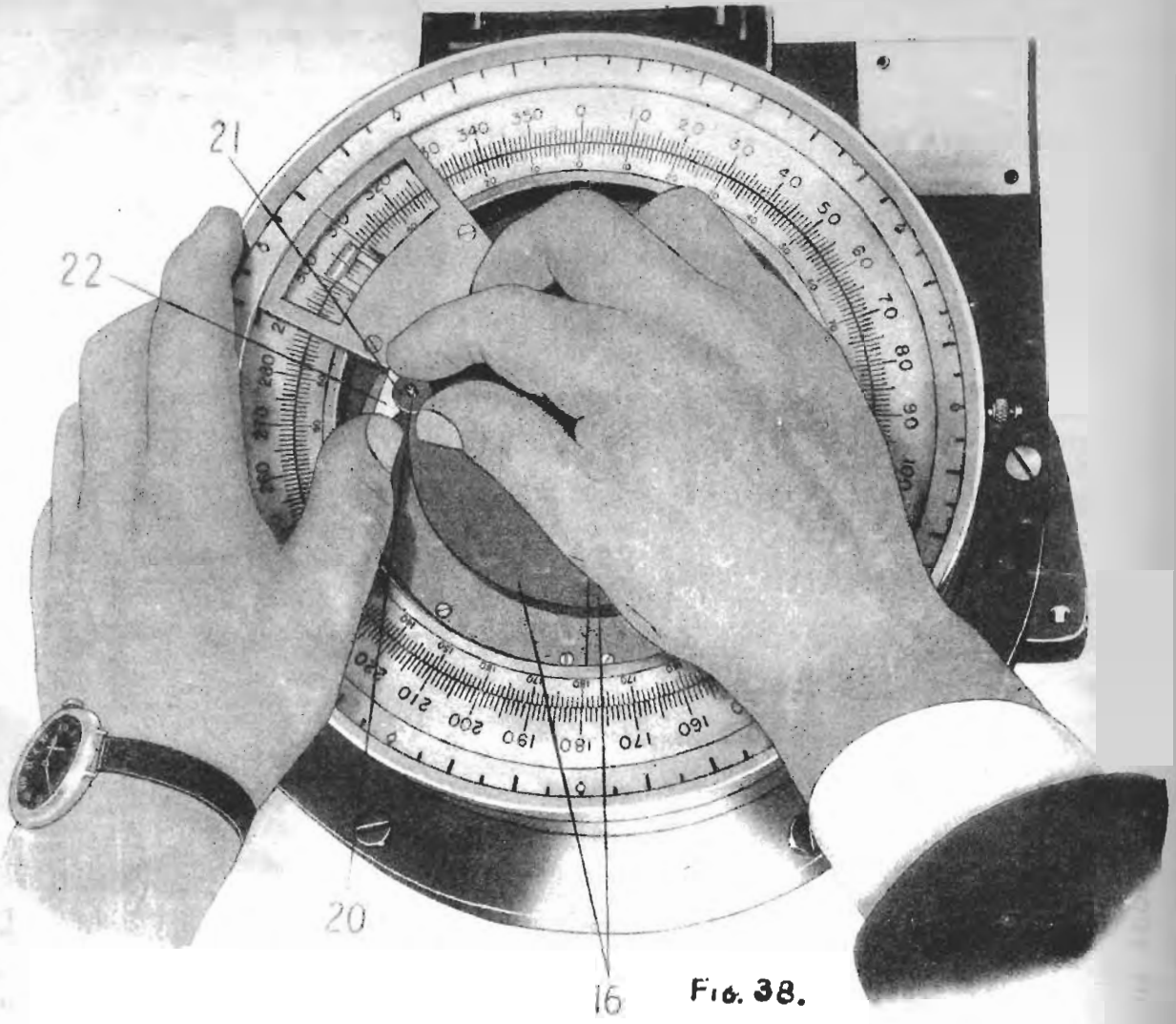


FIG. 38.

CAM BLANK INSCRIBED READY FOR CUTTING.

