

MARK V

Date of design:- 1922

This is very similar to the Mark IV -- the only important difference being that it has been designed to withstand greater external pressure.

The cover plate has been fitted with a glana (15) (as in Mark VI Hydrophone Plate) instead of the "pickle bottle" tung. The Mark V Hydrophone is shown in figure a.

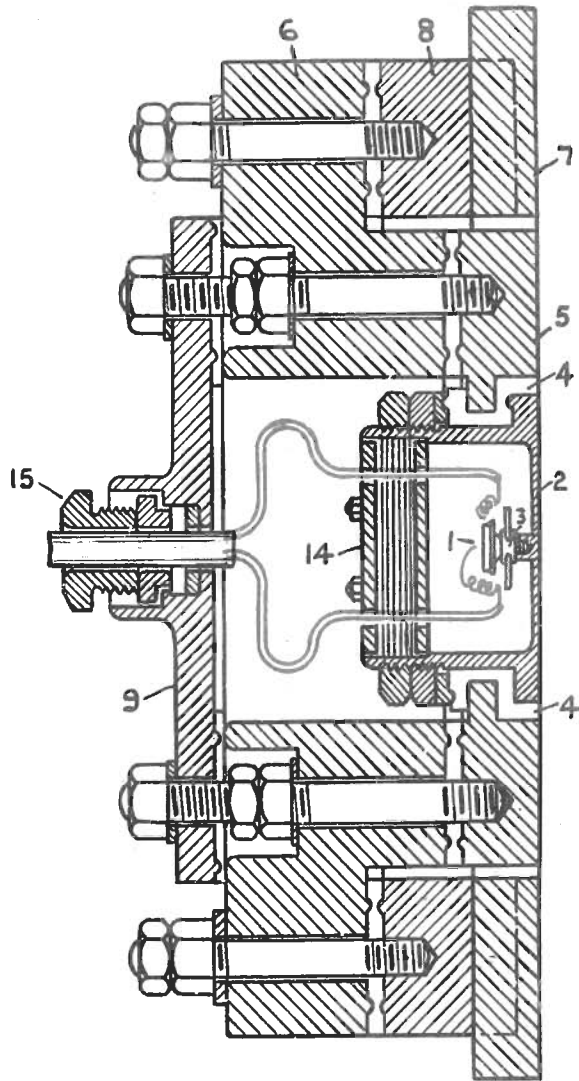


FIG. a.

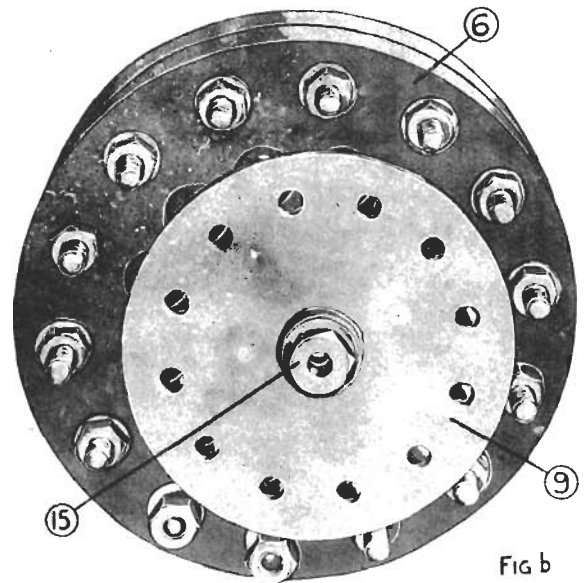


FIG b

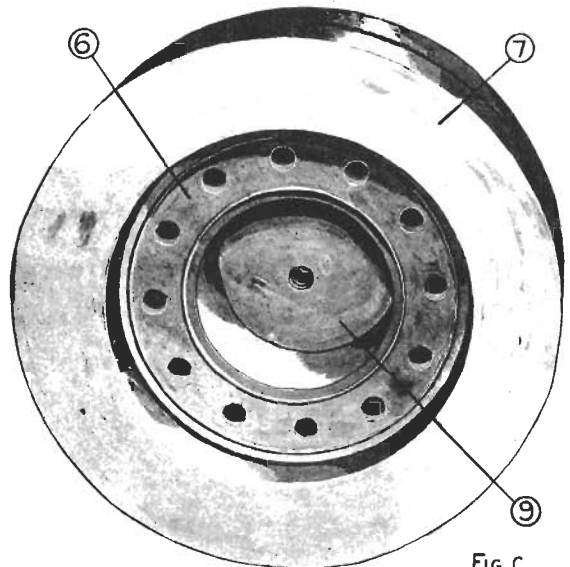


FIG. c.

MARK V

XA 3

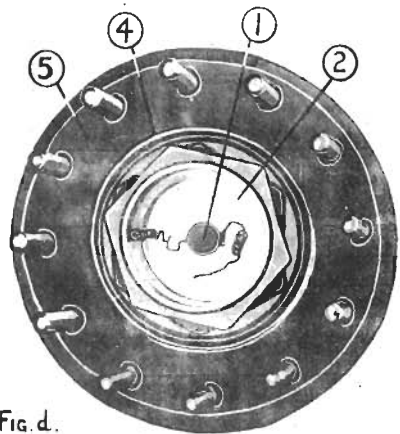


FIG. d.

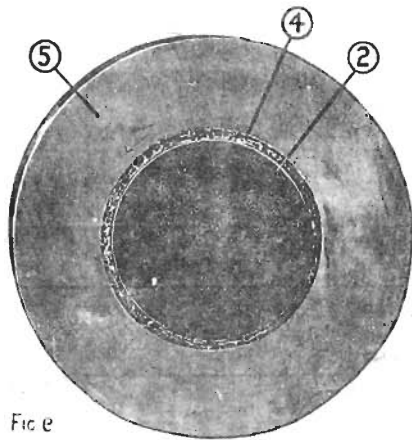


FIG. e.

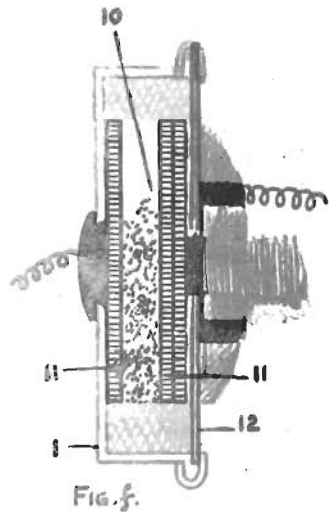


FIG. f.