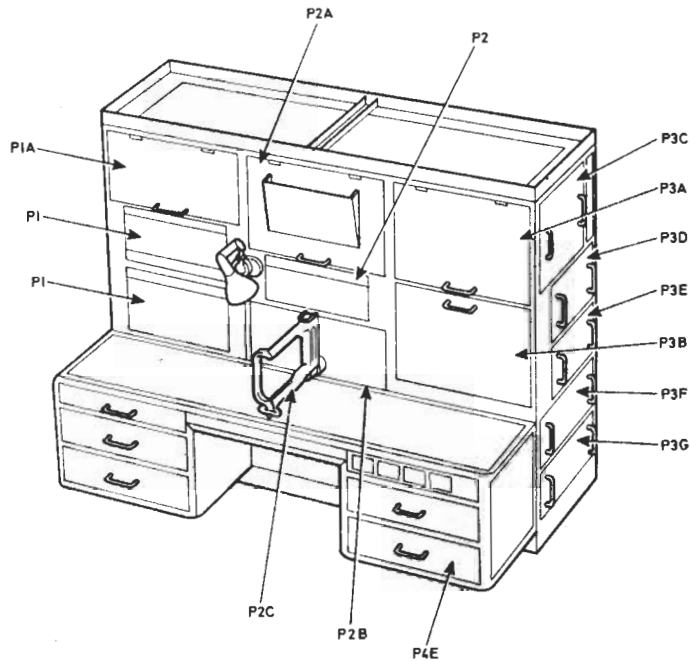


RADAR MAINTENANCE OUTFIT RMO

RMO

SUMMARY OF DATA



RADAR MAINTENANCE OUTFIT

PURPOSE

The Radar Maintenance Outfit provides a selection of power supplies, signals and monitoring facilities for testing the majority of portable units used in Radar Type 909.

BRIEF DESCRIPTION

The Radar Maintenance Outfit comprises three upright cabinets and a maintenance table. A rotatable printed wiring board holder protrudes over the table and Type 909 boards under test are placed in the holder. Built in test equipment comprises an oscilloscope, a frequency counter timer and an integrating digital voltmeter. Soldering iron, standard power sockets and special portable test equipment are also provided.

MAJOR UNITS

| | | |
|-----|---------------------------------|------------------|
| P1 | Integrating Digital Voltmeter | |
| P1 | Counter Electrical Frequency | 6625-99-971-8519 |
| P1A | Rack Electrical Equipment | 5975-99-519-6092 |
| P2 | CT536A Oscilloscope Double Beam | |
| P2A | Rack Electrical Equipment | 5975-99-519-6091 |
| P2B | Panel Signal Distribution | 6625-99-520-0194 |
| P2C | Holder Adaptor Test | 6625-99-520-0193 |
| P3A | Panel Monitor | 1430-99-520-0197 |
| P3B | Panel Power Distribution | 6110-99-520-0161 |
| P3C | Panel Power Distribution | 6110-99-924-8320 |
| P3D | Power Supply | 6130-99-519-6145 |
| P3E | Power Supply | 6130-99-519-6146 |
| P3F | Power Supply | 6130-99-519-6147 |
| P3G | Power Supply | 6130-99-519-6148 |
| P4E | Test Set Multirange No 1 | 6625-99-105-7049 |

POWER REQUIREMENTS

- 440 V, 60 Hz, 3 phase
- 200 V, 600 Hz, 3 phase
- 115 V, 60 Hz.
- 115 V, 400 Hz.

BR 333(1)
Original

RESTRICTED

PHYSICAL DATA

Weight of equipment. 0.8 tons
Dimensions of equipment 6 ft 9 in long by 3 ft 6 in wide by 6 ft 3 in high.
When dismantled into its four major assemblies the outfit will pass through a 2 ft 6 in square hatchway.

HANDBOOK

BR 2948.

ESTABLISHMENT LIST

S1530.

INSTALLATION SPECIFICATION

B1045.