

RESISTORS		
Item	Description	Patt. No.
1	150 ohms (50 ohms and (100 ohms in series).	4022 4023
2	5,000 ohms.	8857
3	20,000 "	7097
4	2,000 "	-
5	10,000 " (two 5,000 ohms in series).	1899
6	50,000 "	23
7	50,000 "	23
8	100,000 "	2714
9	1,000 "	8806
10	20,000 " (eight 2,500 ohms in series).	1110
11	1,300 " (one 100 ohms (two 600 ohms in series	17 3165
12	100,000 " (two 200,000 ohms in parallel, Dobilier)	-
13	2,000 " (two 1,000 ohms in series).	8864
14	100,000 " (two 200,000 ohms in parallel, Dobilier)	-
15	2,000 "	-
16	50 " variable.	-
17	1 Megohm, Dobilier.	-
18	20,000 ohms.	7097
19	4 "	-
20	250,000 "	1234
21	300,000 " (three 100,000 ohms in series)	2714

CONDENSERS		
Item	Description	Patt. No.
22	8 mfd. Electrolytic.	8875
23	4 " "	737
24	8 " Electrolytic.	8875
25	25 jars.	8222
26	0.1 mfd.	8224
27	0.1 mfd.	8224
28	0.1 mfd. Dobilier, 950.	-
29	0.002 mfd. " 951	-
30	0.1 mfd.	8224
31	0.1 mfd.	8224
32	0.1 mfd. Dobilier, 951	-
33	0.1 mfd.	8224
34	0.1 mfd.	8224
35	0.001 mfd. Mica. Dobilier B775.	-
36	0.1 mfd.	8224
37	4 mfd. Dobilier, 951	-
38	1.0 mfd. " 951	-
39	0.1 mfd.	8224
40	1 mfd.	4977A
41	0.1 mfd.	8224

TRANSFORMERS

Item	Description	Patt. No.
42	Input	-
43	230/350v. 30mA 10v. C.T. 2 amps.	W201
44	230/7.6v. C.T. 3.5 A.	W202
45	230/12.5v. C.T. 21.0 A.	W203
46	230/4v. C.T. 2A., 4v. C.T. 2A, 350v., 20mA.	W204
47	230/14v. C.T. 5 A.	W205
48	230/3,500v. tapped. 3,000v. 60mA.	W206
49	230/4v. C.T. 2 A., 600v. 10mA.	W207

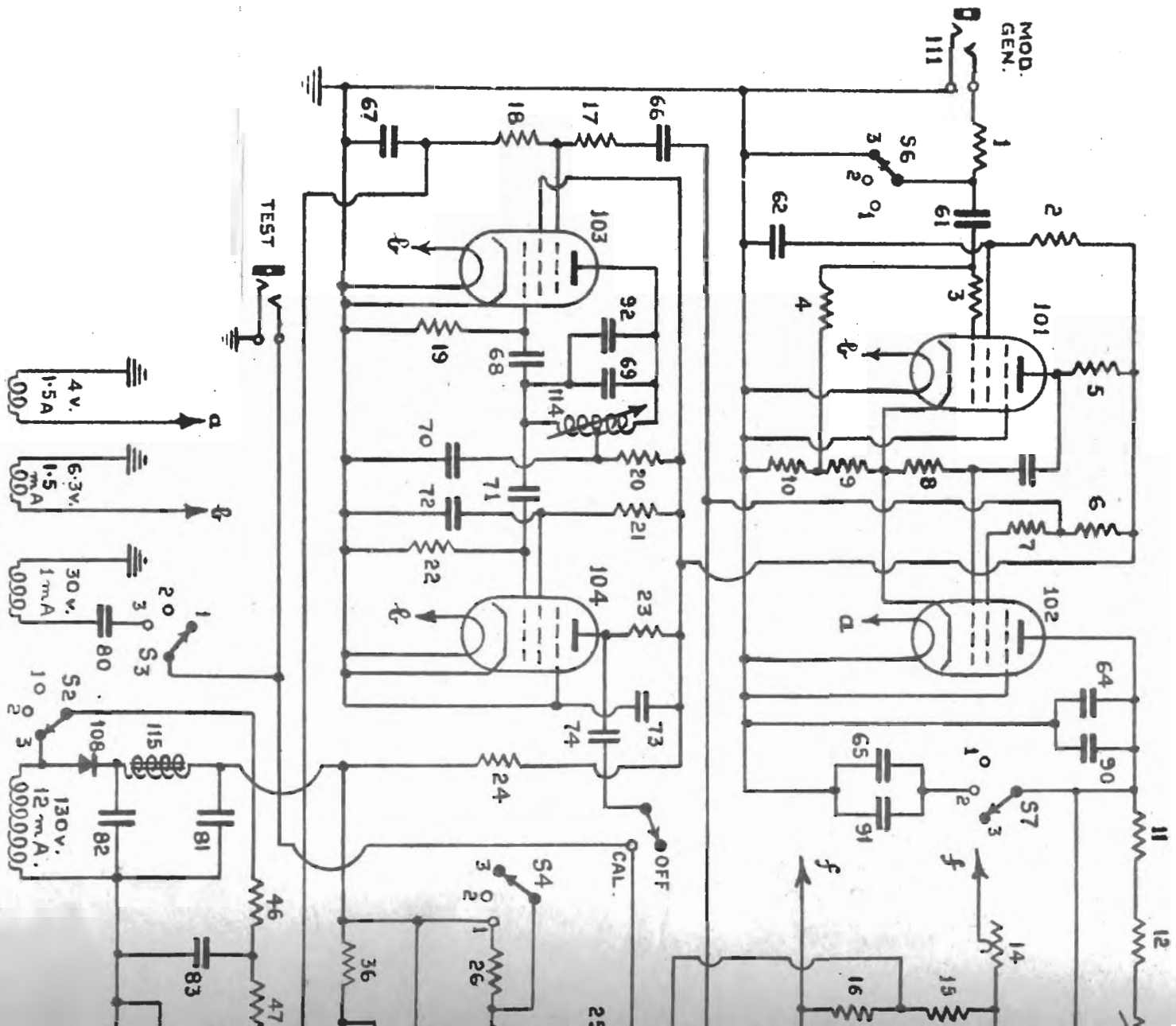
VALVES

Item	Type	Patt. No.	CV. No.
50	NR53	1457	
51	NT38	4562	
52	NT58A	W580	
53	4279A, Standard Telephones.	-	
54	Osram, U17 (in screening box)	-	
55	NU1	5233	
56	Osram, U17	-	

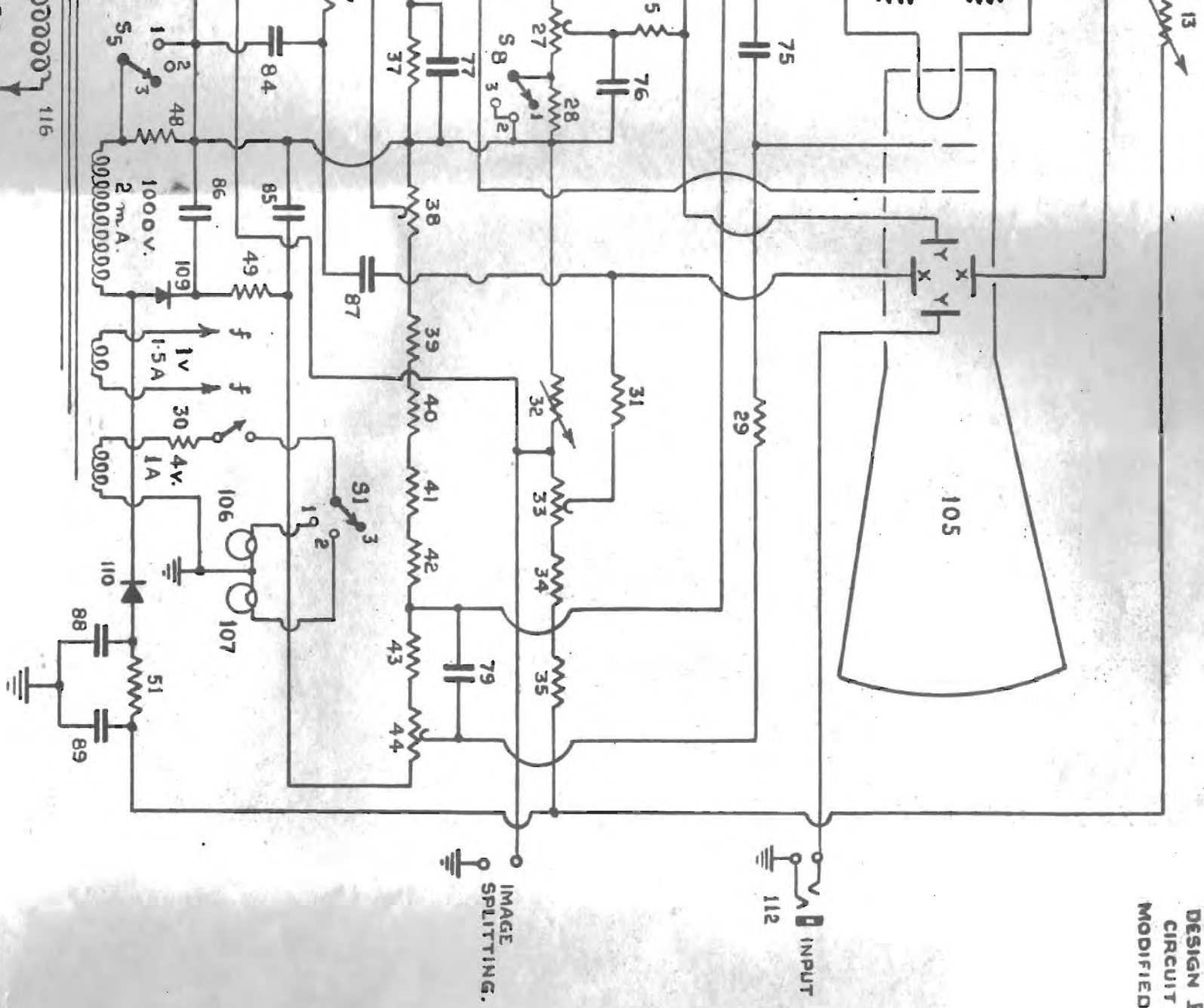
MISCELLANEOUS

Item	Description	Patt. No.
57	Voltmeter, 0-15v. A.C.	-
58	Milliammeter, 0-100mA. D.C.	7568
59	" 0-2mA. D.C.	-
60	" 0-3mA. D.C.	-
61	Switch, 3 way, single pole.	-
62	Gate Switch (in screening box).	-
63	Switch 3 pole, ON/OFF.	-
64	Jack, Telephone.	676
65	Resistance, 0.1 ohm.	-
66	" 50,000 ohms.	23
67	Condenser, 20 pF, Dubilier, Ceramic Type CDS3.	-
68	" (6 mfd. - 2 in parallel).	8887
69	Resistance, 2,500 ohms.	1110
70	Cable, screened.	13801 or 13832
71	Jack Box (Sync. for Outfit JH2).	2411

TYPE 279. CIRCUIT DIAGRAM
PATT. 24498 MODIFIED
PATT. 56952 FILTER U



M OF C.R.T. UNIT, DESIGN B.
 D FOR USE WITH
 UNIT VIDEO DES. 15.



22

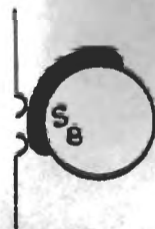
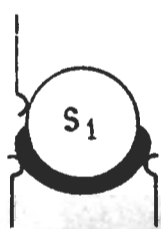
C.R.T. UNIT
 DESIGN B
 CIRCUIT
 MODIFIED.

BARREL SWITCH, 8-WAY.

3 POSITION, 90° MOTION.

POSITION ① TEST ② LONG ③ SHORT.

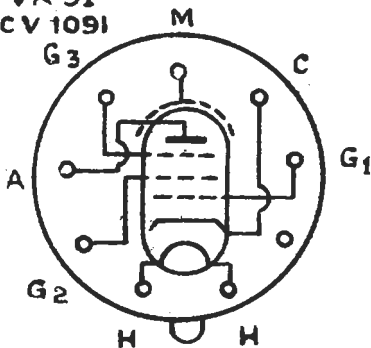
SWITCH SHOWN IN POSITION ②



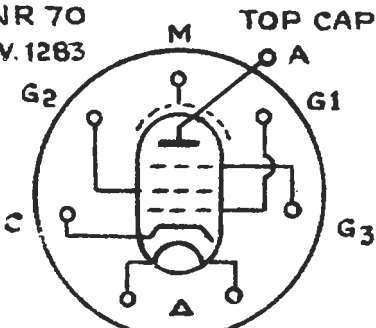
VALVE BASE CONNECTIONS

(VIEWED FROM FREE ENDS OF PINS).

VR 91
CV 1091



NR 70
CV. 1283

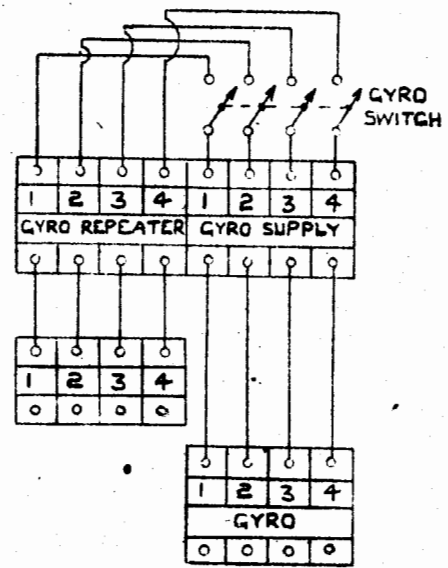
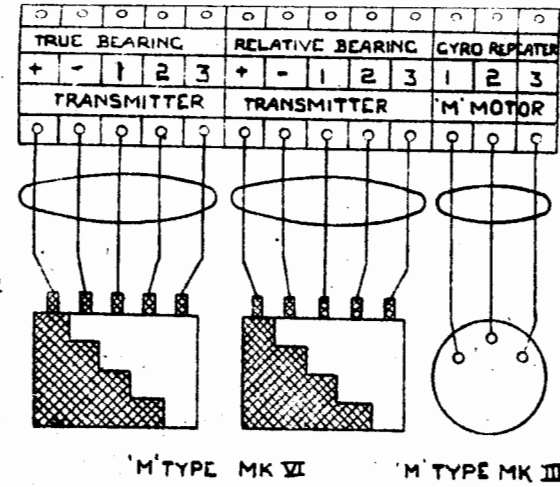
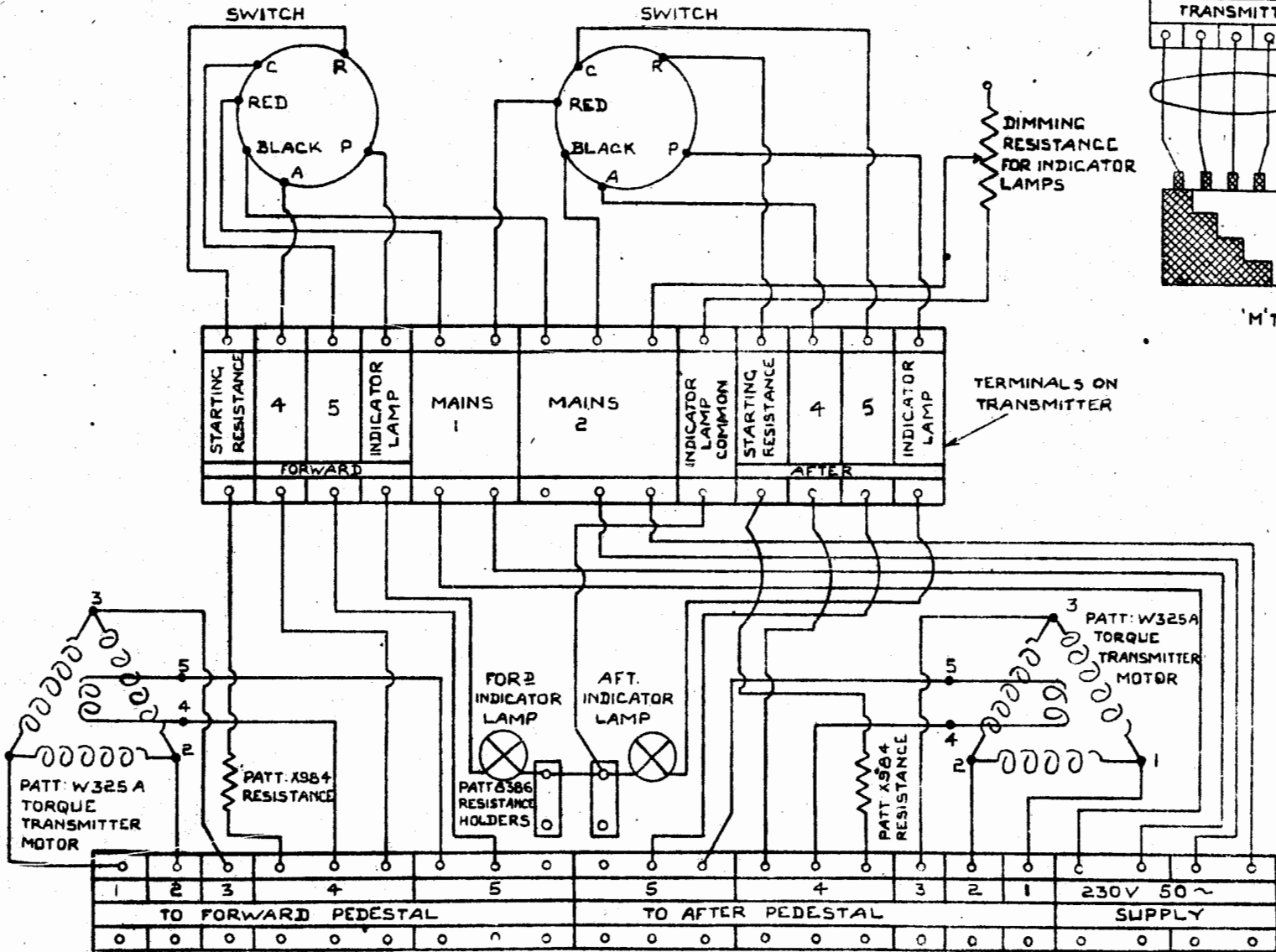


Item No.	Patt. No.	Description
		Resistances :-
1	6967	1000 ohms, 1 inch long, $\frac{1}{2}$ watt.
2	W2261	1 megohm, 1 inch long, M.C., $\frac{1}{2}$ watt.
3	W1595A	47,000 ohms, $\frac{1}{2}$ watt, 1 inch long, M.C.
4	W4606	2.2 megohms, 1 inch long, M.C., $\frac{1}{2}$ watt.
5	W1587	100,000 ohms, 1 inch long M.C.
6	W4607	10,000 ohms, 1 inch long, M.C.
7	W1594A	22,000 ohms, 1 inch long, M.C.
8	W2651A	470,000 ohms, 1 inch long, M.C.
9	W3297A	3,300 ohms, 1 inch long, M.C.
10	W1558	1,000 ohms, 1 inch long, M.C.
11	8414	500,000 ohms, $1\frac{3}{4}$ inches long.
12	8413	1 megohm, $1\frac{3}{4}$ inches long.
13	W2886	Potentiometer 2 megohms, 2 watts.
14	-	Potentiometer 1 ohm
15	4316	10,000 ohms, 1 inch long.
16	4316	10,000 ohms, 1 inch long.
17	W1597A	270,000 ohms, $\frac{3}{8}$ inches long, M.C.
18	W2261	1 megohm, 1 inch long, M.C.
19	W1594A	22,000 ohms, 1 inch long, M.C.
20	W4975	4,700 ohms, 1 inch long, M.C.
21	W2261	1 megohm, 1 inch long, M.C.
22	W1597A	270,000 ohms, 1 inch long, M.C.
23	W4975	4,700 ohms, 1 inch long, M.C.
24	6872	15,000 ohms, $1\frac{3}{4}$ inches, long.
25	6974	1 megohm, 1 inch long.
26	6974	1 megohm, 1 inch long.
27	W2886	Potentiometer 2 megohms, 2 watts.
28	6974	1 megohm, 1 inch long.
29	4317	2 megohms, 1 inch long.
31	4317	2 megohms, 1 inch long.
32	W4231	Potentiometer 250,000 ohms, 2 watts.
33	W2886	Potentiometer 2 megohms, 2 watts.
34	1327	4 megohms, $1\frac{3}{4}$ inches long, 1 watt.
35	1327	4 megohms, $1\frac{3}{4}$ inches long, 1 watt.
36	6972	100,000 ohms, 1 inch long, $\frac{1}{2}$ watt.
37	6971	50,000 ohms, 1 inch long, $\frac{1}{2}$ watt.
38	W5311	Potentiometer 100,000 ohms, 2 watts.
39	4047	500,000 ohms, 1 inch long.
40	4047	500,000 ohms, 1 inch long.
41	4047	500,000 ohms, 1 inch long.
42	4047	500,000 ohms, 1 inch long.
43	6973	250,000 ohms, 1 inch long.
44	W4231	Potentiometer 250,000 ohms, 2 watts.
46	W1078	30,000 ohms, 1 inch long, M.C.
47	W1078	30,000 ohms, 1 inch long, M.C.
48	8415	100,000 ohms, $1\frac{3}{4}$ inches long
49	6973	250,000 ohms, 1 inch long.
50	4047	500,000 ohms, overwound 8 ohms.
51	6972	100,000 ohms, 1 inch long.

Item No.	Part. No.	Description
Condensers:-		
61	W5416	0.1 microfarads, 350 volts, D.C.working.
62	W5416	0.1 microfarads, 350 volts, D.C.working.
63	W973	0.005 microfarads, 350 volts, D.C.working.
64	W6308	0.0002 microfarads, 2500 volts, D.C.working.
65	W3191	0.0003 microfarads, 2500 volts, D.C.working.
66	W5416	0.1 microfarads, 350 volts, D.C.working.
67	W972	0.001 microfarads, 350 volts, D.C.working.
68	W972	0.001 microfarads, 350 volts, D.C.working.
69	W3803	0.002 microfarads, $\pm 5\%$, 350 volts, D.C.working.
70	W5416	0.1 microfarads, 350 volts, D.C.working.
71	W972	0.001 microfarads, 350 volts, D.C.working.
72	W5416	0.1 microfarads, 350 volts, D.C.working.
73	W4550	4 microfarads E1. 200 volts, D.C.working.
74	W1197	0.01 microfarads, 350 volts, D.C.working.
75	W2813	0.01 microfarads, 1000 volts, D.C.working.
76	W5416	0.1 microfarads, 350 volts, D.C.working.
77	W5416	0.1 microfarads, 350 volts, D.C.working.
79	W5416	0.1 microfarads, 350 volts, D.C.working.
80	W5416	0.1 microfarads, 350 volts, D.C.working.
81	W4550	4 microfarads, E1. 200 volts D.C.working.
82	W4550	4 microfarads, E1. 200 volts D.C.working.
83	W5416	0.1 microfarads, 350 volts, D.C.working.
84	W5416	0.1 microfarads, 350 volts, D.C.working.
85	8225	0.25 microfarads, 2,500 volts, D.C.test.
86	8225	0.25 microfarads, 2,500 volts, D.C.test.
87	W5416	0.1 microfarads, 350 volts, D.C.working.
88	8225	0.25 microfarads, 2,500 volts, D.C.test.
89	8225	0.25 microfarads, 2,500 volts, D.C.test.
90	W6308	0.0002 microfarads, 2,500 volts, D.C.working.
91	W3958	0.001 microfarads, 3,500 volts, D.C.working.
92	W5645	0.0015 microfarads, $\pm 5\%$, 350 volts, D.C.working.
101	CV1091	Valve, VR91
102	CV1283	Valve NR70
103	CV1091	Valve VR91
104	CV1091	Valve VR91
105	W307	C. R. T. Type NC2
106	56A	Lamp, 4 volts, 0.3 amps.
107	56A	Lamp, 4 volts, 0.3 amps.
108	W3398	Rectifier Selenium.
109	W2627	Rectifier Metal
110	W2627	Rectifier Metal
111	676	Jack, P.O.Gauge 'A', 5 point.
112	676	Jack, P.O.Gauge 'A', 5 point.
114	-	Oscillator coil.
115	W2600	Choke, 20H, 50 mA. D.C.
116	W2599	Transformer, 230v./1000v. 2 mA/150v. 12 mA/30v. 1 mA/6.3v. 1.5 A/4v. 1.5/4v. 1A/1v. 1.5A.

CONTACTS ON AERIAL MOTOR SWITCHES ARE MADE AS FOLLOWS:-
STARTING - RED TO R
BLACK TO C

RUNNING - RED TO P & A
BLACK TO C



CONTROL UNIT 20 AX WITH BEARING TRANSMITTER

WIRING DIAGRAM

20 AX
WIRING
DIAGRAM.