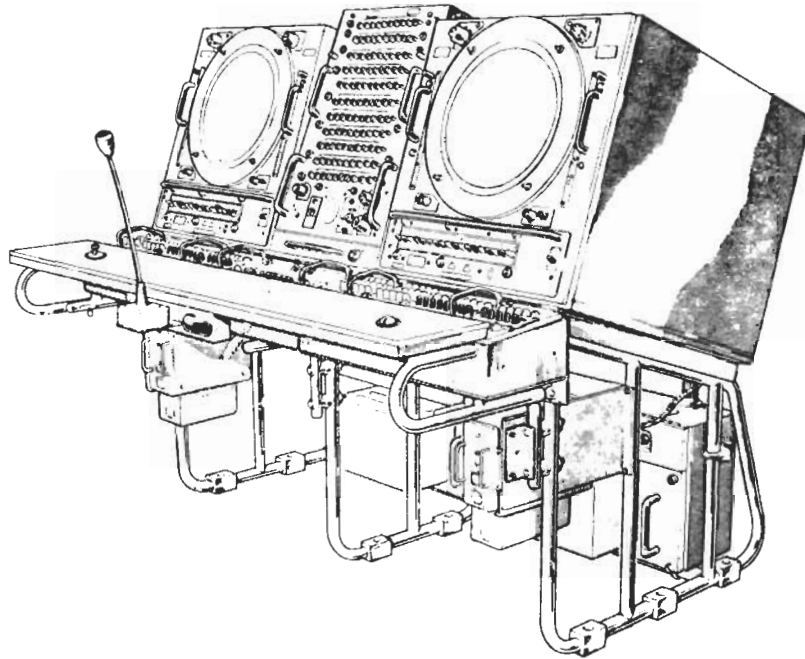


**DISPLAY OUTFIT JGA**

JGA (3)  
JGA (4)  
JGA (5)  
JGA (6)

SUMMARY OF DATA



JGA (5) DISPLAY CONSOLE

**PURPOSE**

To display information produced by data processing equipment from radar returns and to transmit information from the operators to the computer equipment.

**BRIEF DESCRIPTION**

The JGA (5) console provides external and internal communications facilities. The JGA (4) console is used as a maintainer monitoring display for outfit DAB, and the Communications Units are removed and replaced with Clutter Gating Control Units.

The JGA (3) is identical to the JGA (5) console, but has two additional units fitted at the end of the console, these are a Control Communications Unit and a Control and Indicator Unit.

The JGA (6) is a JGA (5) console, fitted with two Data Input Units Manual and two Matrix, Digital Data Units for the purpose of providing two independent manual tracking facilities at one console.

Provision is also made for displaying two raw radars (Radar 1 and 2) in PPI form and interlaced radar with marker information on all JGA consoles.

**MAJOR UNITS**

<u>AP/NSN No.</u>	<u>Description</u>
5840-99-527-7461	Data Input Unit Manual
5840-99-521-0786	Matrix Digital Data Unit
5840-99-533-4928	Selector Category
AP 172881	Indicator Digital Display
5840 AP 172310	Control Communications (Outer), except JGA (4).
5840 AP 172311	Control Communications (Centre), except JGA (4)
AP 172873	Control and Indicator Unit, JGA (3) only
AP 172874	Control Communications, JGA (3) only

# **RESTRICTED**

BR 333(1)  
Original

## **POWER SUPPLIES**

200 V 400 Hz 3 Phase

## **HANDBOOK**

BR 2402 (A)

## **ESTABLISHMENT LIST**

E1416

## **INSTALLATION SPECIFICATION**

B 1137