

## 4.6. D.F. OUTFIT FU3

DATE OR DESIGN. 1960

HANDBOOKS. B.R. 1175 (1) Operating Instructions and Technical Description and Maintenance

B.R. 1175 (2) Block layout and Circuit Diagrams

B.R. 1175 (3) Remote D.F. Indicator

ESTABLISHMENT LIST. E 1204

FREQUENCY RANGE. 225 to 399.9 Mc/s

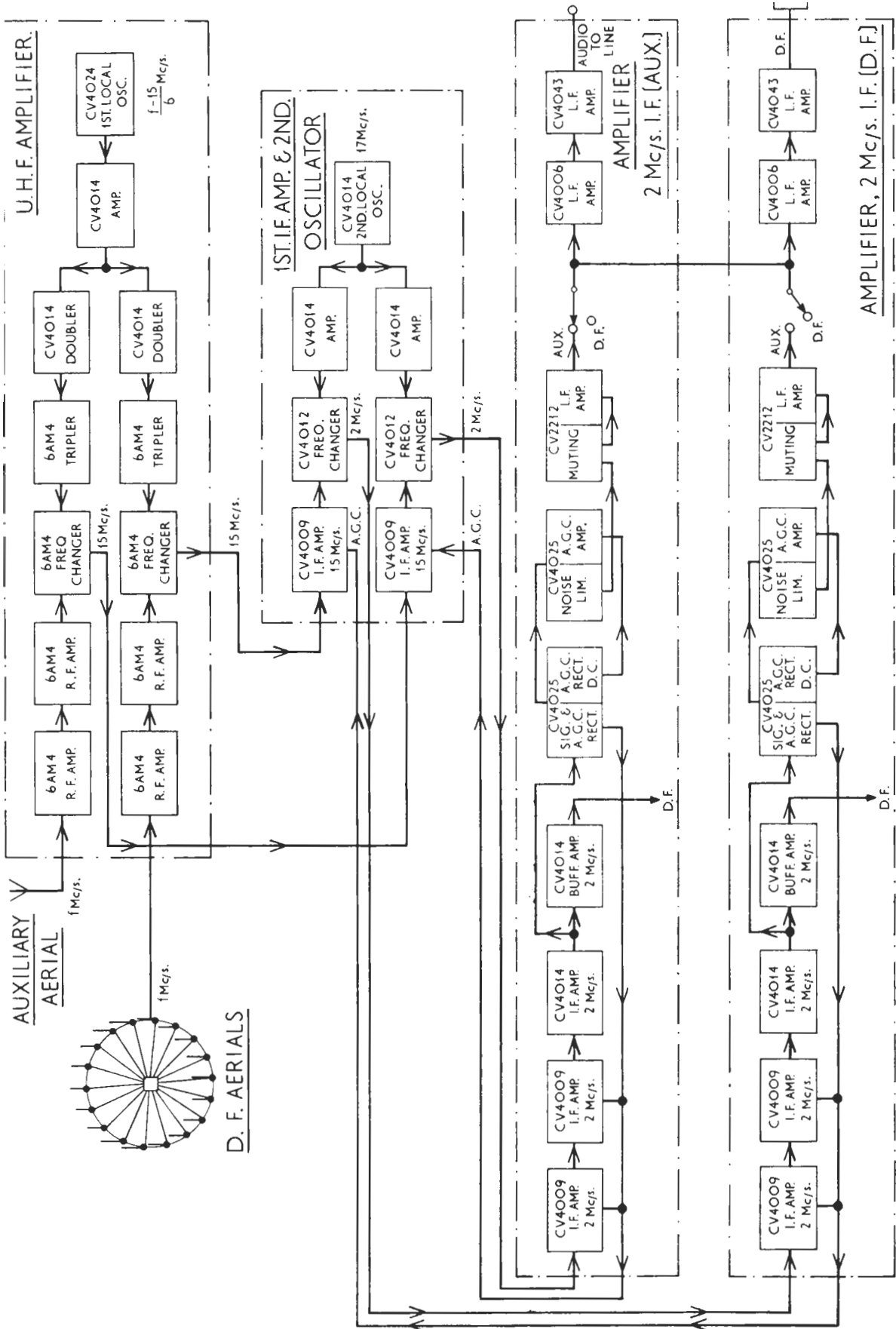
POWER SUPPLY. 115 or 230 V 45 to 65 c/s. Single phase a.c.

POWER CONSUMPTION. 1.2 kW

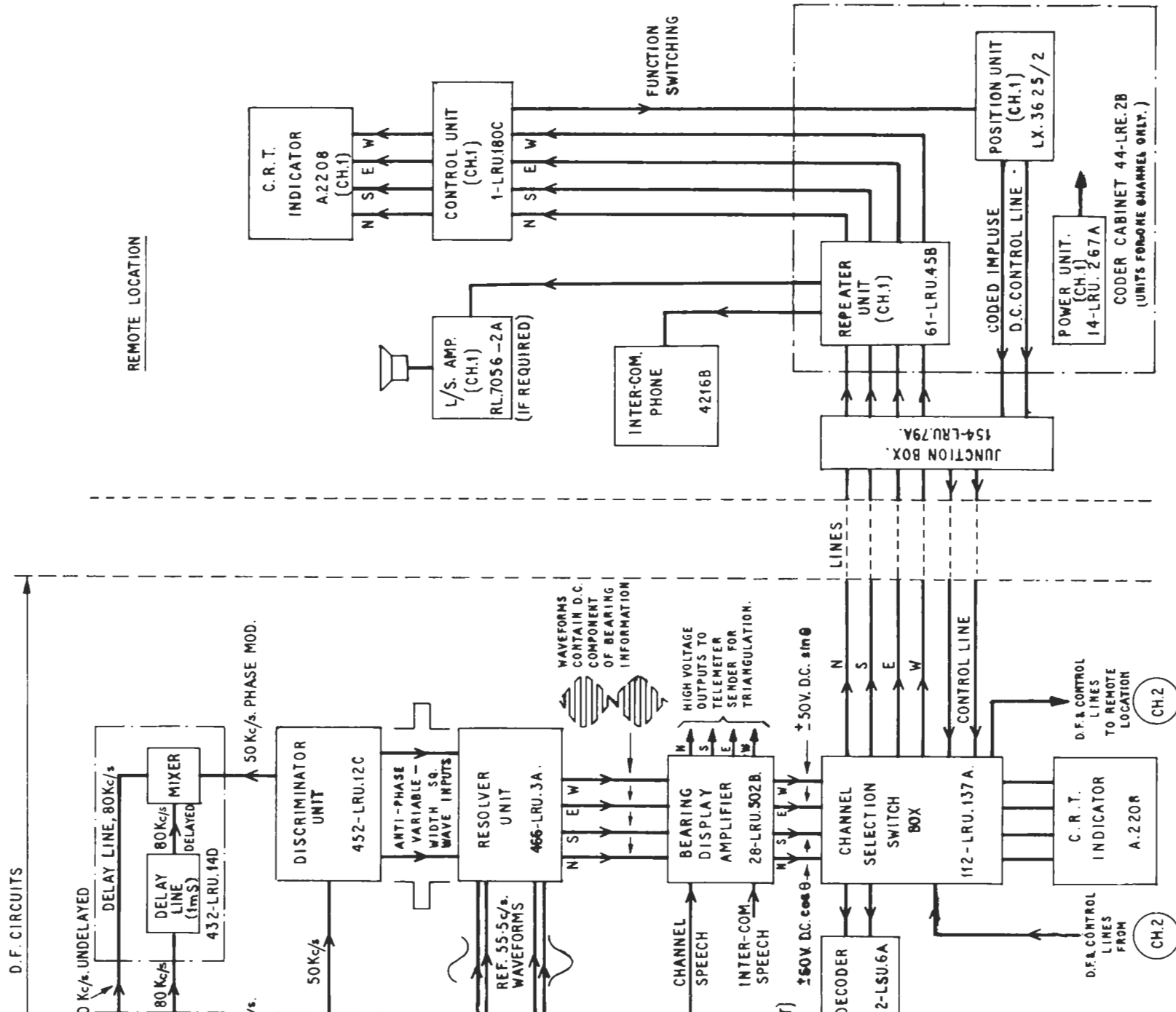
### GENERAL

1. FU 3 is a modified shore installation similar to D.F. Outfit FU1, the principal difference between the outfits being:

- a. Two independent channels are available, one functioning on either of two pre-selected frequencies and the other on any one of five pre-selected frequencies, outputs from the receiver i.f. stages being switched to their respective i.f. stages as required.
- b. Outputs are provided from each display for feeding into the UHF Triangulation Fixer network.
- c. The D.F. Array consists of the 18 unipole system only.
- d. The Receivers' first and second i.f.s are 15 Mc/s and 2 Mc/s respectively with the second local oscillator crystal controlled at 17 Mc/s.
- e. On a Naval Air Station, a D.F. Building houses the main equipment, the remote control and display being available in the airfield control tower.
- f. For description see D.F. Outfit FU1 details.

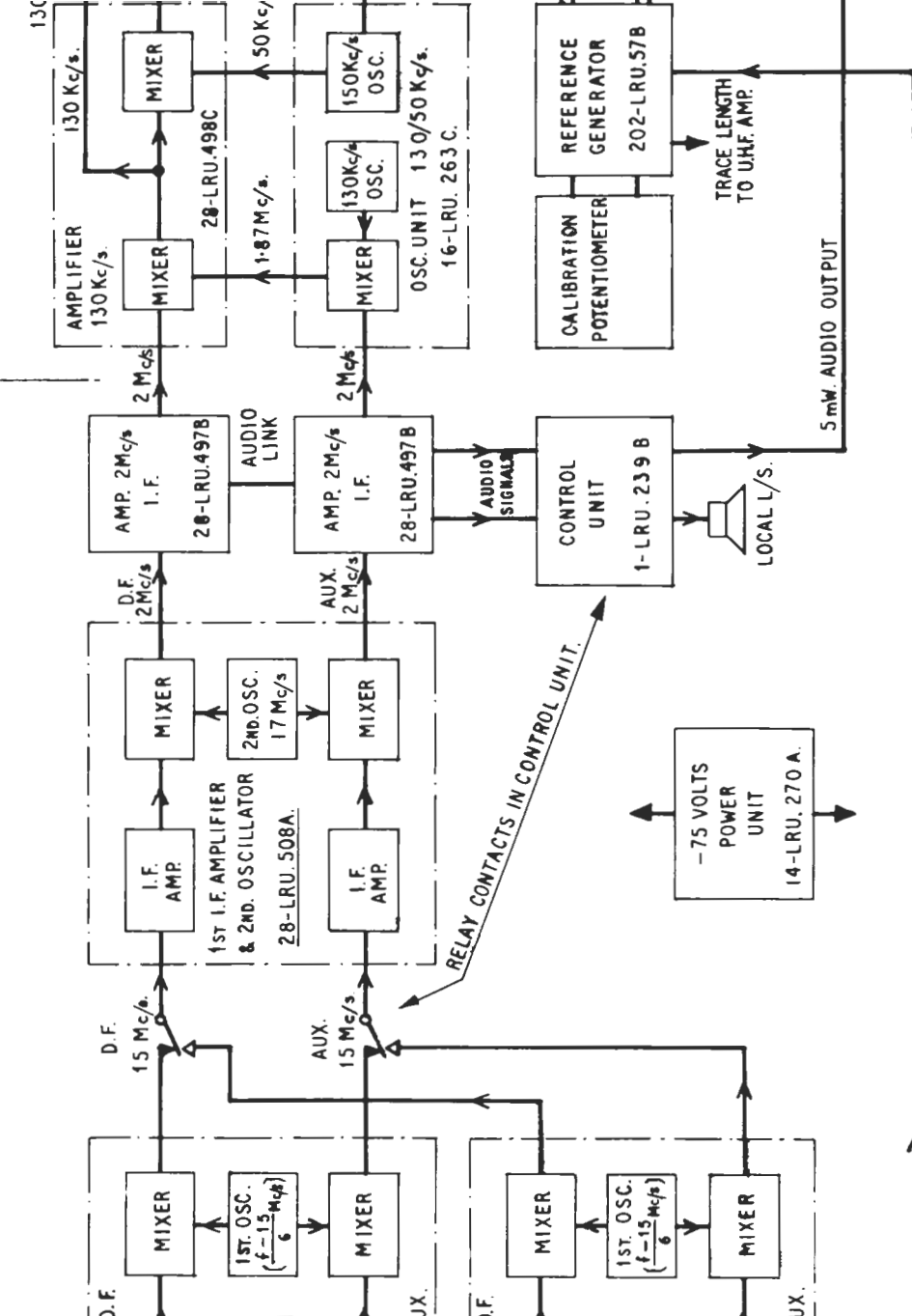


OVERALL BLOCK DIAGRAM, F.U.3. RECEIVER.

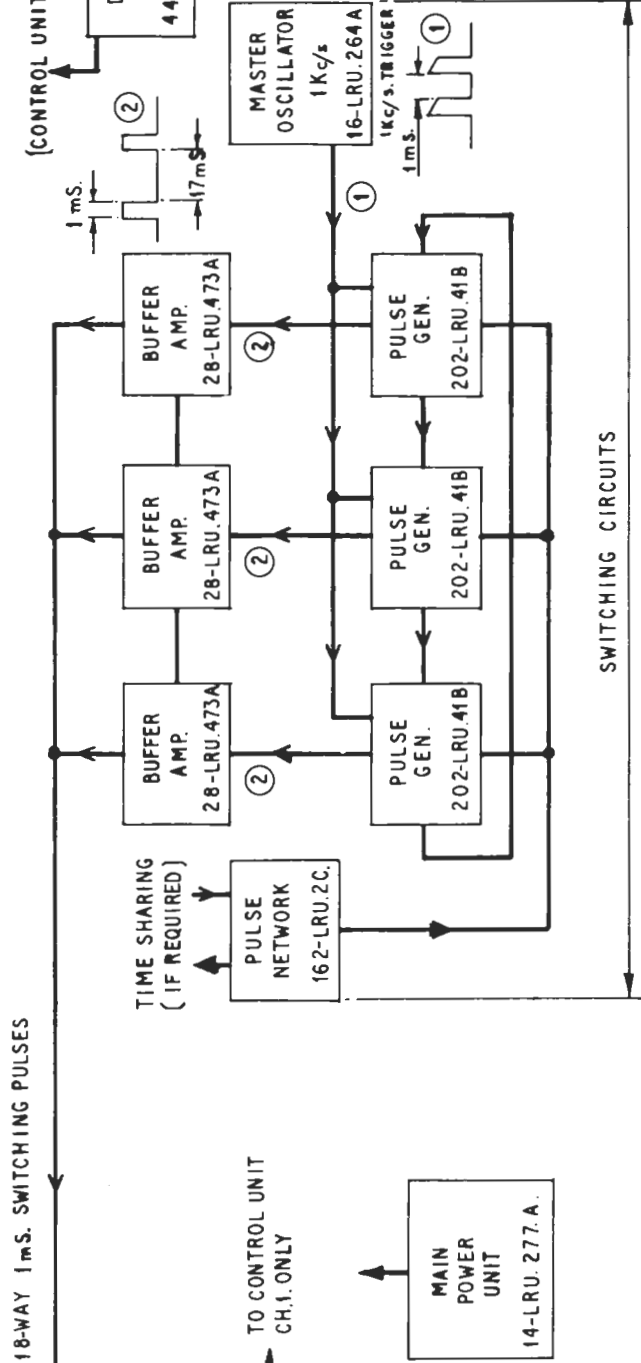


OVERALL BLOCK DIAGRAM  
OF TWO FREQUENCY EQUIPMENT

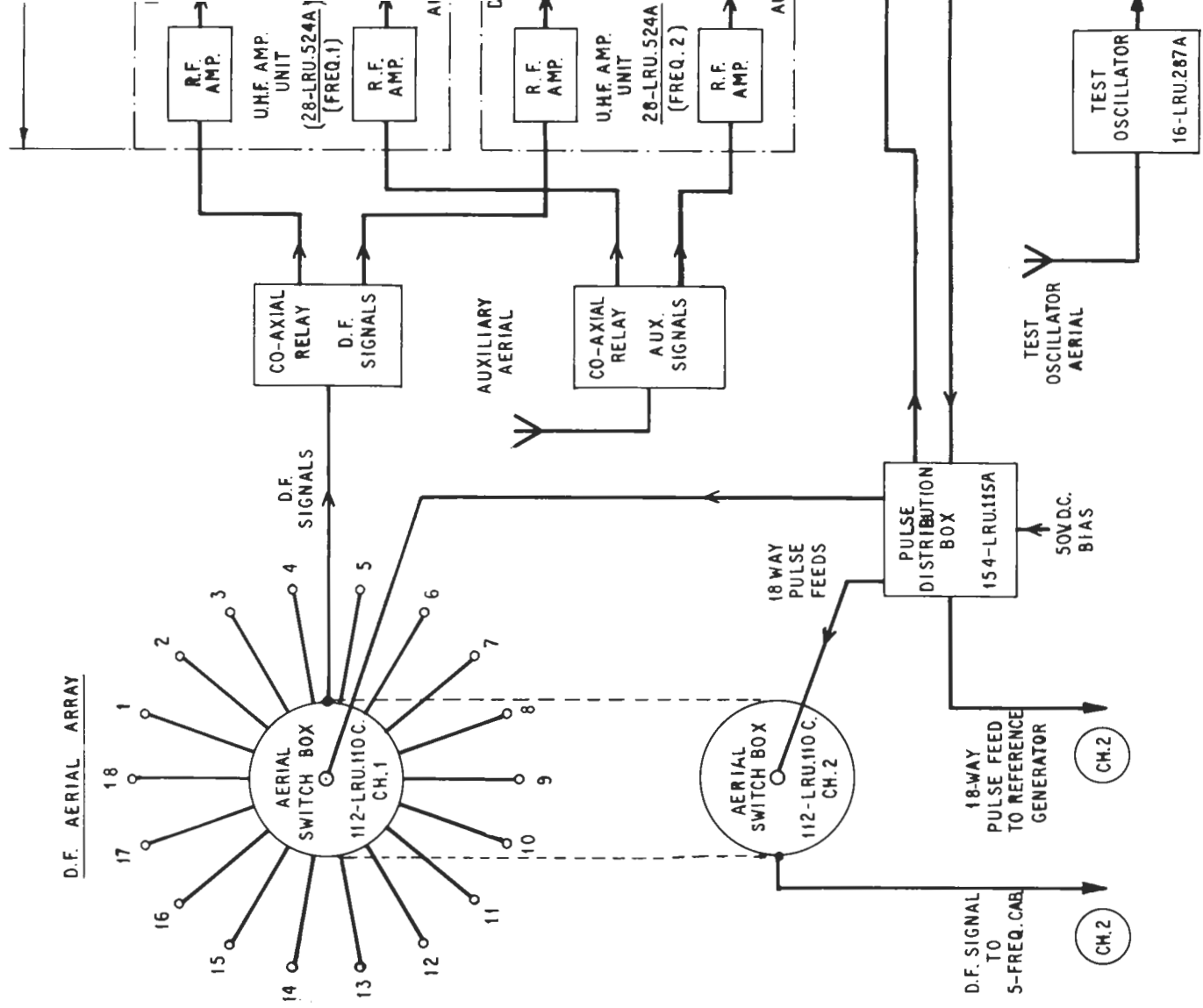
U.H.F. RECEIVER



18-WAY 1 mS. SWITCHING PULSES



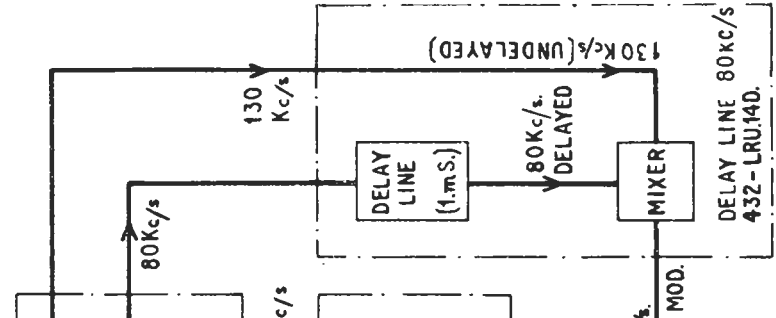
SWITCHING CIRCUITS



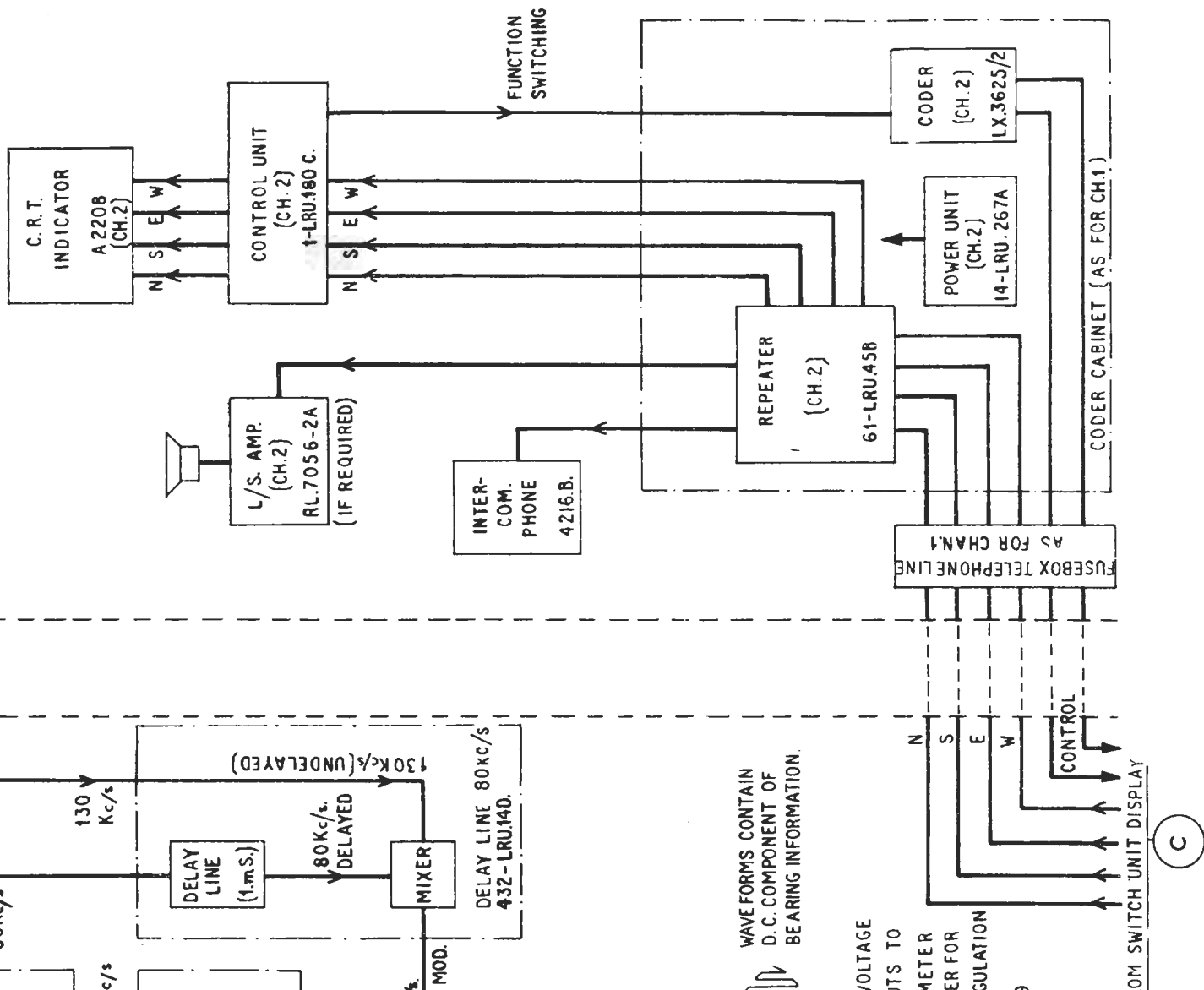
**NOTE**

FOR A SINGLE CHANNEL (2-FREQ. CABINET) EQUIPMENT TYPE P.Q.2-A3. THIS DRAWING IS COMPLETE. FOR A TWIN CHANNEL EQUIPMENT TYPE P.Q.2-A2. (FU.3) THE SECOND CHANNEL (5-FREQ. CABINET) IS SHOWN ON ES-8934. SHEET 252.

CUITS



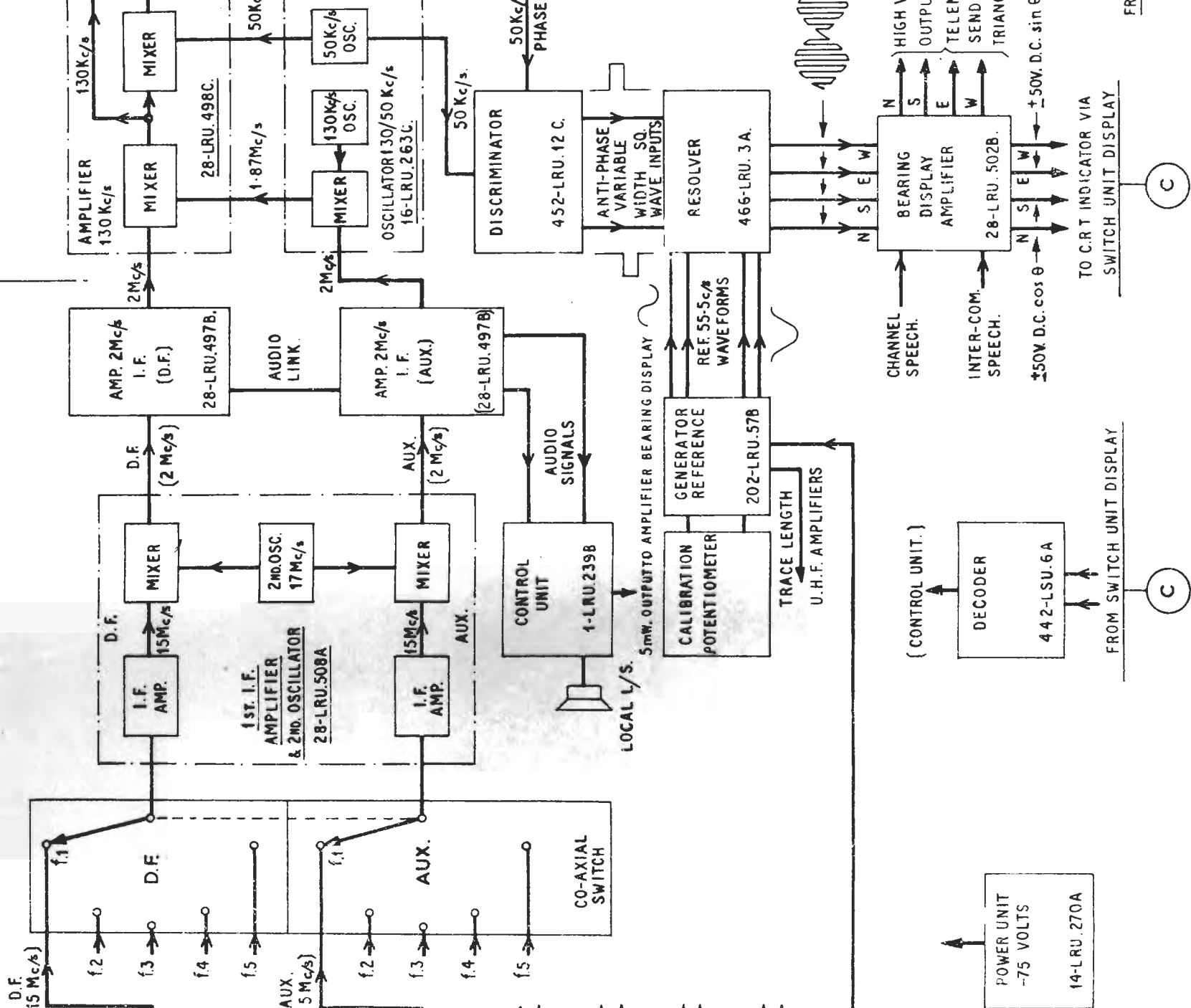
REMOTE LOCATION

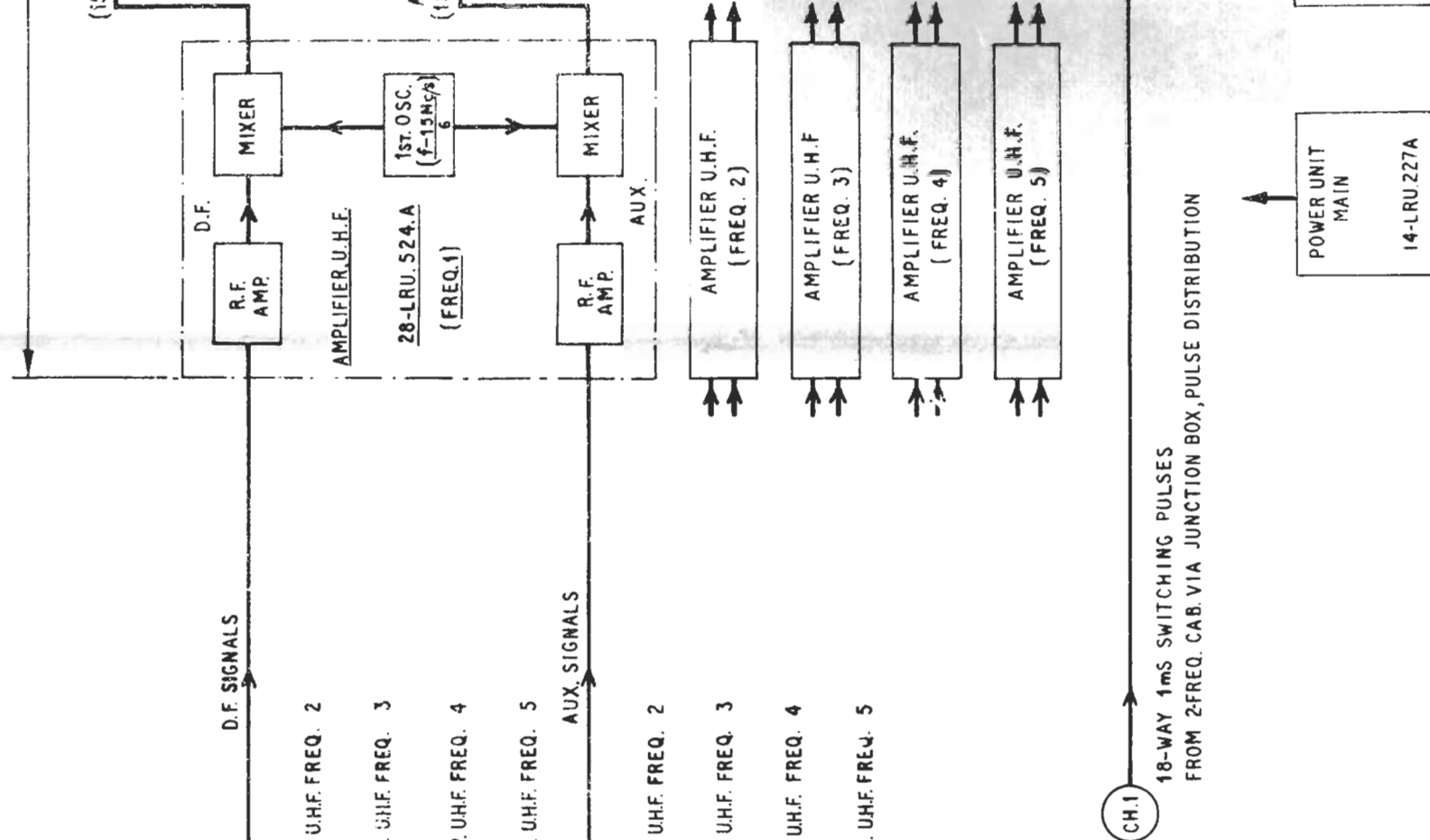


OVERALL BLOCK DIAGRAM OF FIVE FREQUENCY EQUIPMENT

# U.H.F. RECEIVER

# D.F. CIRCUIT





SHOWN ONLY

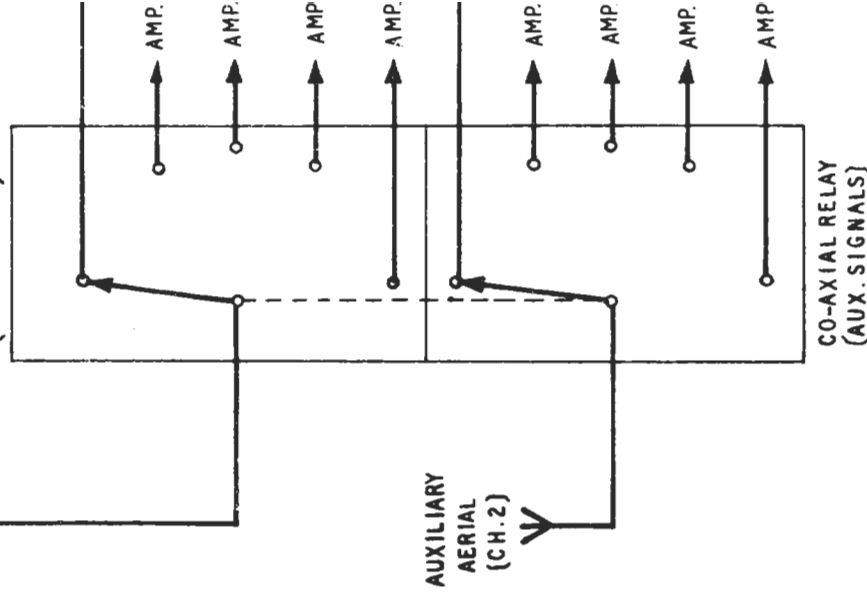
BR 1175 (2)  
HB 1144 A  
ISS.2  
APRIL 1960  
INFN FROM  
ES. 8934  
SHT.252  
ISS.1

(C)

D.F. SIGNALS  
FROM MAIN AERIAL

ARRAY VIA SWITCH UNIT AERIAL  
(CH.2)

CO-AXIAL RELAY  
(D.F. SIGNALS.)



(C)

EQUIPMENT COMMON TO BOTH CHANNELS  
ON CH.1 DRAWING E.S. 8934 SHEET. 251.